

## MPOT POTENTIOMETER MODULE

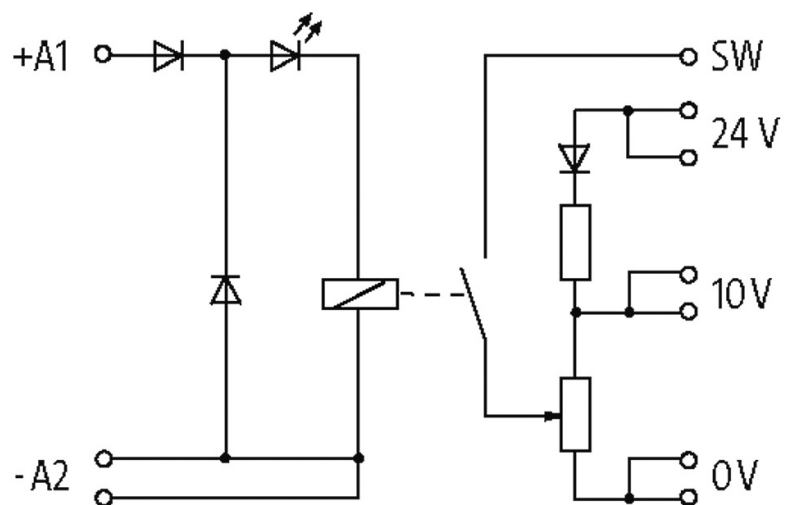
10K-Ohm/270 degree with relay

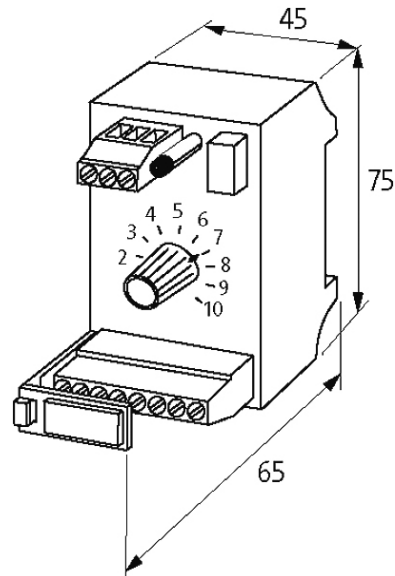
270° potentiometer  
with relay contact  
10 kΩ

The 10-turn potentiometer has a decimal scale and locking lever

### [Link to Product](#)

#### Illustration





Product may differ from Image

### Input

Input voltage	24 V DC
Input current	20 mA
LED display	LED (green)

### Technical Data

Resistance tolerance	±20%
Linearity	±3%
Power: potentiometer	1 W
Power: resistor	0.25 W

### General data

Mounting method	DIN-rail mountable (EN 60715)
Temperature range	0...+60 °C
Dimensions H × W × D	75×45×65 mm

### Output

Switching voltage	10 V DC, 24 V DC
Switching current per output	1 mA/1 A
Contact material	PdNi-Au Rh

### Description

Functional description	The potentiometer modules are fitted with standard values. They are available as 270° potentiometer and as 10-turn potentiometer with fine adjustment. They can be operated with 10 V DC or 24 V DC. A resistor reduces the voltage so that a 24 V DC voltage c
------------------------	---

### Commercial data

country of origin	CZ
customs tariff number	85334010
EAN	4048879041607

eClass	27371227
Packaging unit	1