

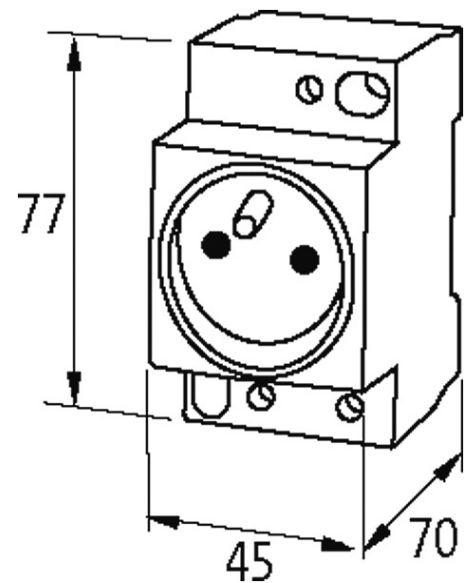
MSVD POWER SOCKET UTE WITH LED

Mounting rail

France (UTE-NF) white

Screw terminals

LED (yellow)

[Link to Product](#)**Illustration**

Product may differ from Image

Approvals

UTE

General data

Dimensions H x W x D 77x45x70 mm

France (UTE-NF)

Operating voltage 250 V AC

Operating current 16 A

Connection Screw terminals: max. 2 x 6 mm² (AWG 10)

Mounting method DIN-rail mountable (EN 60715)

Commercial data

country of origin BE

customs tariff number 85366990

EAN 4048879041416

eClass 27189217

Packaging unit 1