

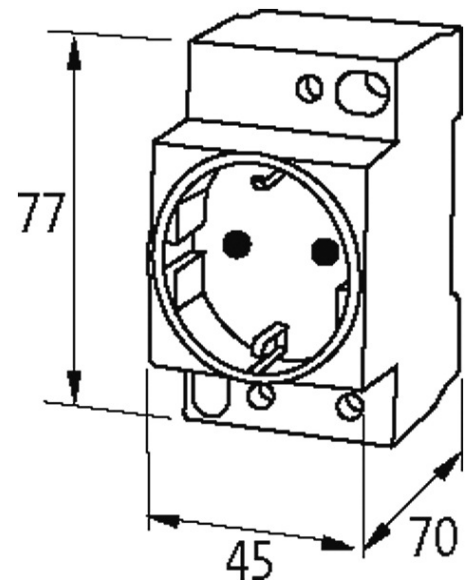
## MSVD POWER SOCKET VDE YELLOW

Mounting rail

Germany (VDE) yellow  
Screw terminals

### [Link to Product](#)

#### Illustration



Product may differ from Image

#### Approvals

VDE

**General data**

Dimensions H x W x D	77x45x70 mm
----------------------	-------------

**Germany (VDE)**

Operating voltage	250 V AC
-------------------	----------

Operating current	16 A
-------------------	------

No. of poles	2 + PE
--------------	--------

Connection	Screw terminals: max. 2 x 6 mm <sup>2</sup> (AWG 10)
------------	--

Mounting method	DIN-rail mountable (EN 60715)
-----------------	-------------------------------

**Commercial data**

country of origin	BE
-------------------	----

customs tariff number	85366990
-----------------------	----------

EAN	4048879041409
-----	---------------

eClass	27189217
--------	----------

Packaging unit	1
----------------	---