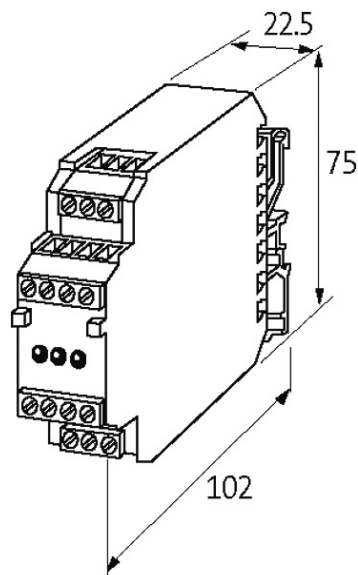


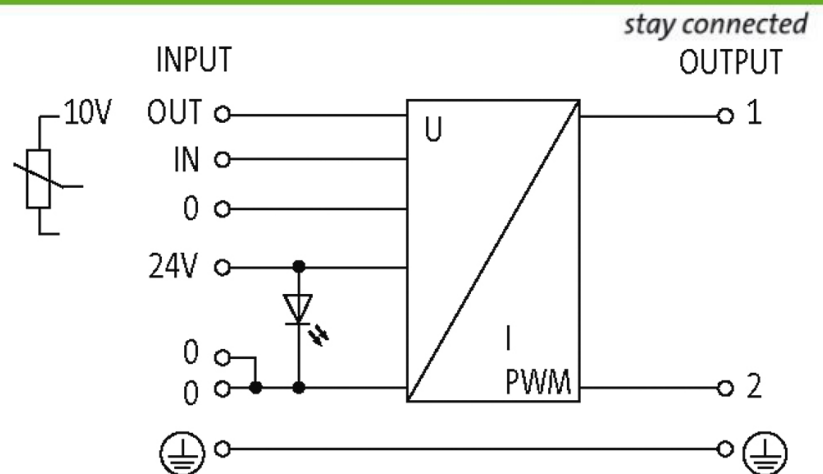
PROPORTIONAL AMPLIFIER, SNAP-ON

Control electronics for proportional valves
18...32 V DC, smoothed (2 200 μ F/1 A)
Screw terminals
Start-up: 10 s

[Link to Product](#)

Illustration





Product may differ from Image

Input

Control voltage	0...10 V DC (unipolar)
Input resistor	approx. 200 k Ω
FSU (Fast-Start-Up)	10 s

Technical Data

Operating voltage	18...32 V DC, smoothed (2 200 μ F/1 A)
Operating current	max. 2.5 A (ind.)
Current consumption	max. 50 mA
LED display	LED (green)

General data

Dimensions H x W x D	75x22.5x102 mm
Connection	Screw terminals
Mounting method	DIN-rail mountable (EN 60715)
Temperature range	-20...+60 °C

Output

Output voltage	24 V DC (PWM)
Output current	0.02 A (+20%)...2.5 A (+10%)
Reference voltage	10 V \pm 5%, max. 5 mA (24 V DC)
Ramp time	0.2...10 s +20%
Clock frequency	40 Hz -5%...400 Hz +10%
Unit protection	Short-circuit, temperature

Description

Functional description	The amplifier regulates the current supply to a proportional valve. This current is proportional to the set-point on the amplifier's input. A voltage output of 10 V is available for set-point adjustment. Zero point, current, and ramp time can be set with
------------------------	--

Commercial data

country of origin	CZ
customs tariff number	85437090
EAN	4048879186810

eClass	27210990
Packaging unit	1
