

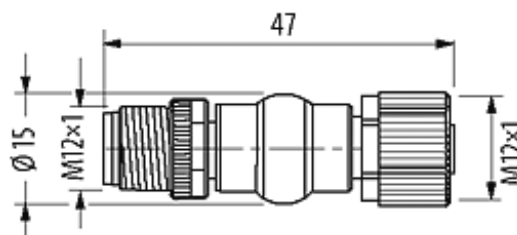
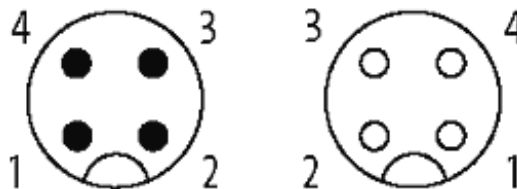
**M12-M12 ADAPTOR, 4 POLE U TO I CONVERTER**

Adapter  
Male/female  
M12 – M12, 4-pole  
shielded  
Voltage/current converter

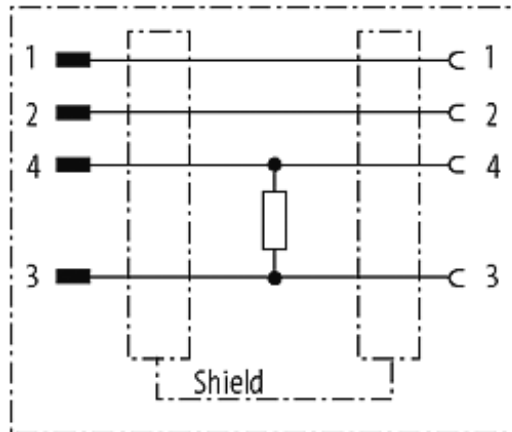
[Link to Product](#)**Illustration**

Male

Female



stay connected



Product may differ from Image

### Approvals



### Form

Form 42252

### Technical Data

Operating voltage	max. 30 V AC/DC
Operating voltage (only UL listed)	max. 30 V AC/DC
Operating current per contact	max. 4 A
Locking of ports	Screw thread M12 × 1 mm (recommended torque 0.6 Nm) self-securing
Protection	IP67 inserted and tightened (EN 60529)
Locking material	Zinc die casting, matte nickel plated
Material	PUR
Application	Voltage/current converter

### General data

Temperature range	-25...+85 °C
Test isolation voltage	0.8 kVrms

### Commercial data

country of origin	DE
customs tariff number	85369010
EAN	4048879143172
eClass	27143423
Packaging unit	1