

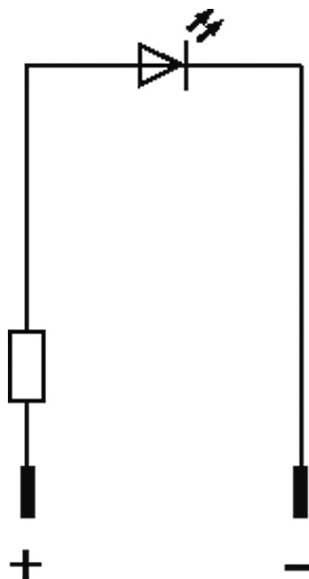
LED-INDICATOR YELLOW

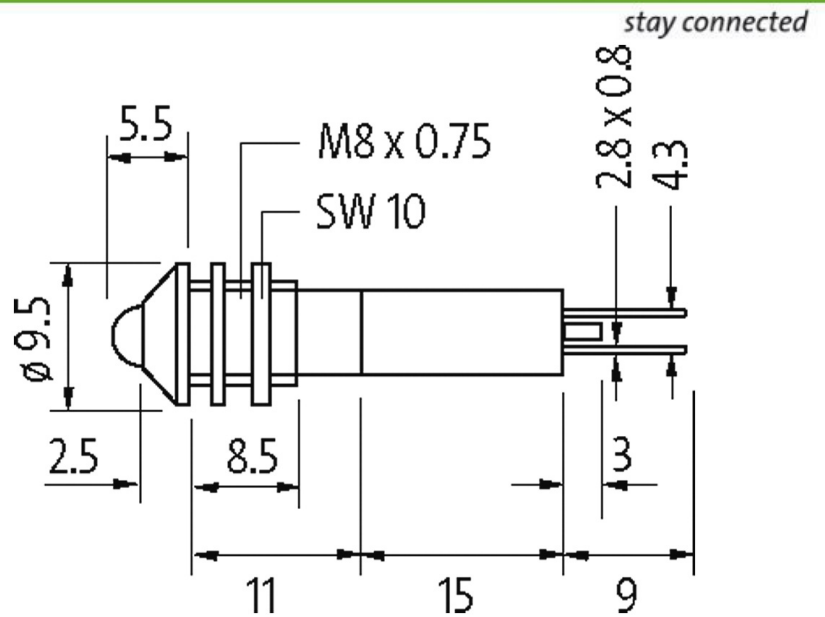
LED 5mm - 24V DC - 20 mA - IP40

(yellow)
24 V DC

[Link to Product](#)

Illustration





Product may differ from Image

Technical Data

Operating voltage	24 V DC $\pm 15\%$
Current consumption	approx. 15 mA
LED display	$\varnothing 5$ mm, diffuse
Protection (IEC 60529/EN 60529)	IP40

General data

Connection	Faston 2.8 x 0.8 mm
Housing	Brass, chrome plated
Front panel hole diameter \varnothing	8 mm
LED \varnothing	5 mm
Dimensions H x W x D	9.5x9.5x77.5 mm
Temperature range	-40...+70 °C

Commercial data

country of origin	DE
customs tariff number	85318070
EAN	4048879041164
eClass	27261590
Packaging unit	10