

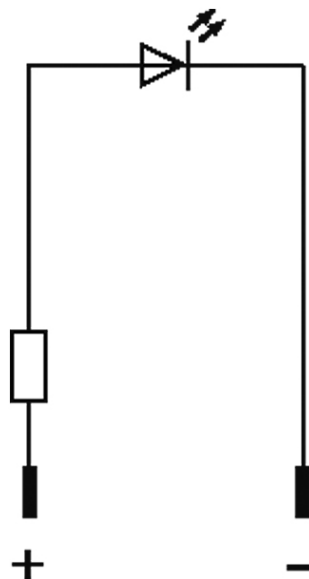
## LED-INDICATOR BLUE

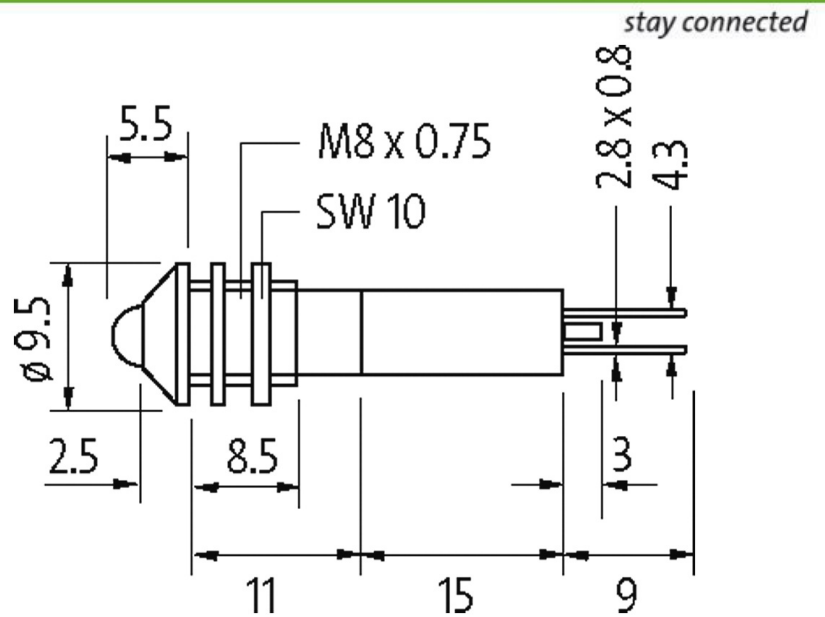
LED 5mm - 24V DC - 20 mA - IP40

(blue)  
24 V DC

### [Link to Product](#)

#### Illustration





Product may differ from Image

### Technical Data

Operating voltage	24 V DC $\pm 15\%$
Current consumption	approx. 15 mA
LED display	$\varnothing 5$ mm, diffuse
Protection (IEC 60529/EN 60529)	IP40

### General data

Connection	Faston 2.8 x 0.8 mm
Housing	Brass, chrome plated
Front panel hole diameter $\varnothing$	8 mm
LED $\varnothing$	5 mm
Dimensions H x W x D	9.5x9.5x77.5 mm
Temperature range	-40...+70 °C

### Commercial data

country of origin	DE
customs tariff number	85318070
EAN	4048879041102
eClass	27261590
Packaging unit	10