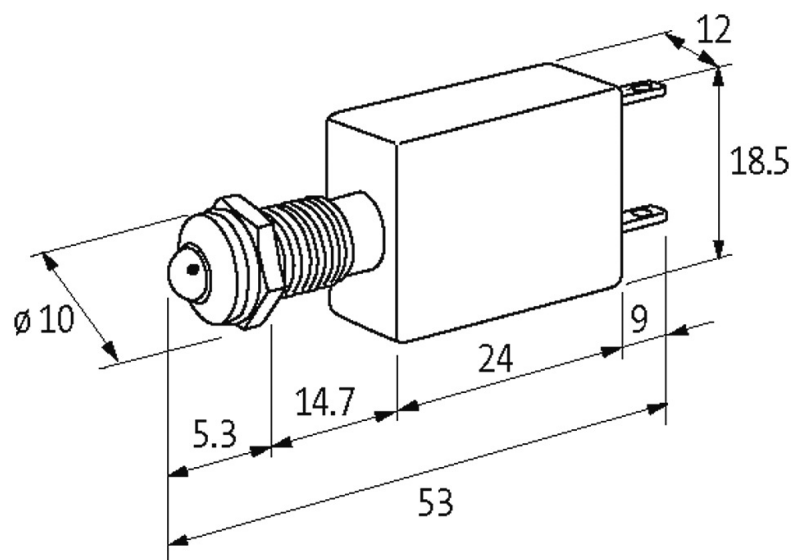


LED-INDICATOR YELLOW

LED 5mm - 110V AC/DC - 5mA - IP40

(yellow)
110 V AC/DC
Protection IP40

[Link to Product](#)**Illustration**



Product may differ from Image

Technical Data

Operating voltage	110 V AC/DC (95...121 V AC/DC)
Current consumption	5 ±0.5 mA
Protection (IEC 60529/EN 60529)	IP40

General data

Housing	Adapter - PVC, gray
Front panel hole diameter Ø	8 mm
LED Ø	5 mm
Dimensions H × W × D	18.5×12×53 mm
Connection	Faston 2.8 × 0.8 mm
Temperature range	-40...+70 °C

Commercial data

country of origin	DE
customs tariff number	85318070
EAN	4048879041010
eClass	27261590
Packaging unit	10