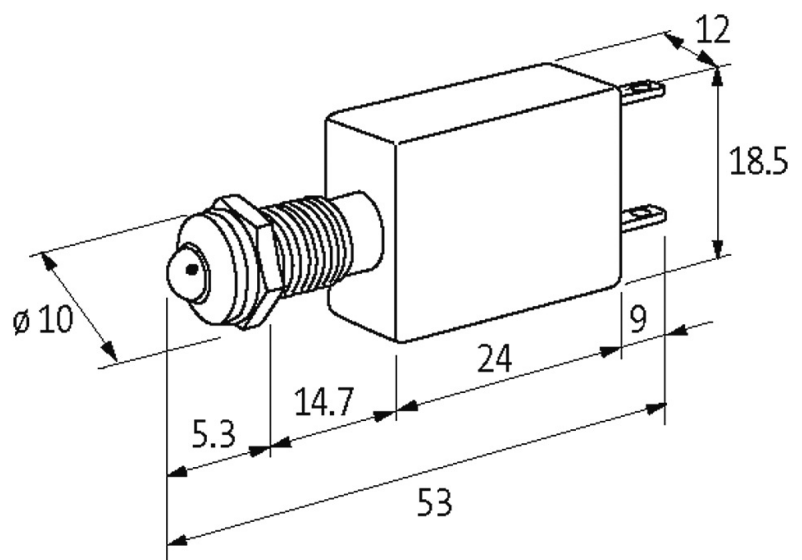
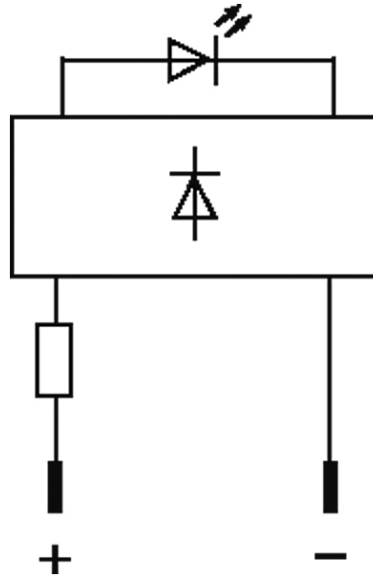


**LED-INDICATOR GREEN**

LED 5mm - 230V AC/DC - 5mA - IP40

(green)  
230 V AC/DC  
Protection IP40

[Link to Product](#)**Illustration**



Product may differ from Image

### Technical Data

Operating voltage	230 V AC $\pm 10\%$
Current consumption	5 $\pm 0.5$ mA
Protection (IEC 60529/EN 60529)	IP40

### General data

LED $\varnothing$	5 mm
Front panel hole diameter $\varnothing$	8 mm
Dimensions H x W x D	18.5x12x53 mm
Connection	Faston 2.8 x 0.8 mm
Housing	Adapter - PVC, gray
Temperature range	-40...+70 °C

### Commercial data

country of origin	DE
customs tariff number	85318070
EAN	4048879040976
eClass	27261590
Packaging unit	10