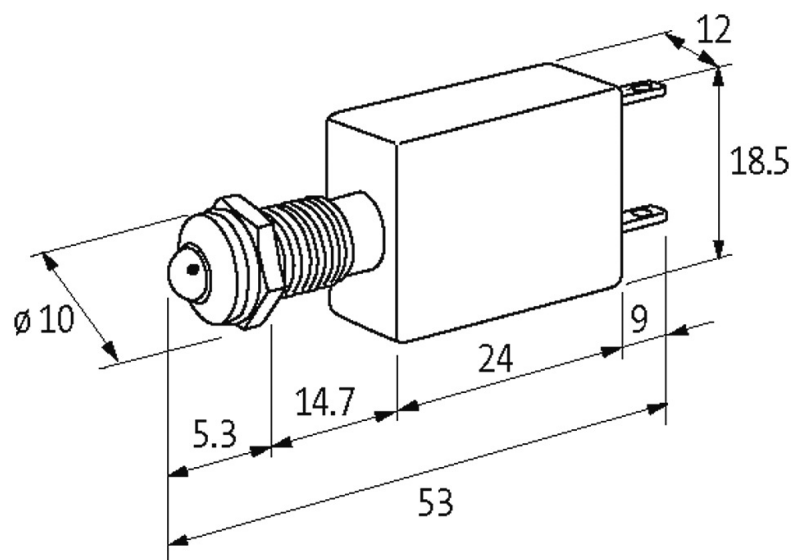


**LED-INDICATOR WHITE**

LED 5mm - 230V AC/DC - 5mA - IP40

(white)  
230 V AC/DC  
Protection IP40

[Link to Product](#)**Illustration**



Product may differ from Image

### Technical Data

Operating voltage	230 V AC $\pm$ 10%
Current consumption	5 $\pm$ 0.5 mA
Protection (IEC 60529/EN 60529)	IP40

### General data

LED $\varnothing$	5 mm
Front panel hole diameter $\varnothing$	8 mm
Dimensions H $\times$ W $\times$ D	18.5 $\times$ 12 $\times$ 53 mm
Connection	Faston 2.8 $\times$ 0.8 mm
Housing	Adapter - PVC, gray
Temperature range	-40...+70 °C

### Commercial data

country of origin	DE
customs tariff number	85318070
EAN	4048879040914
eClass	27261590
Packaging unit	10