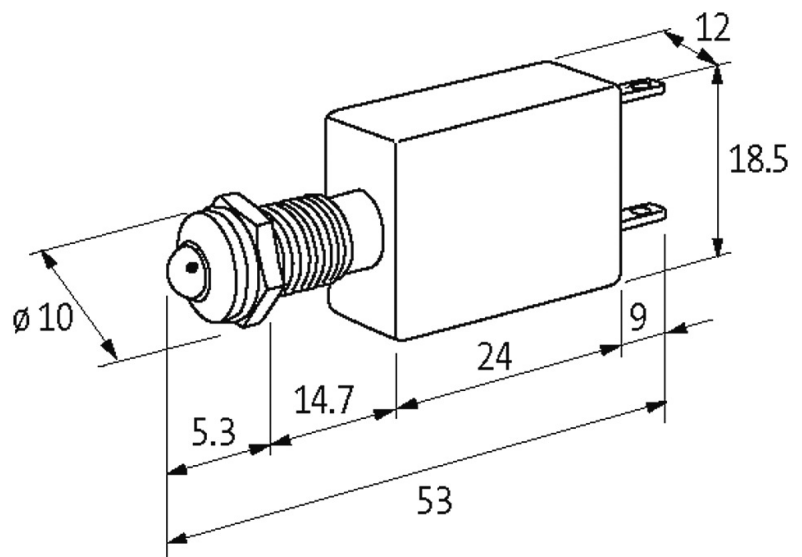
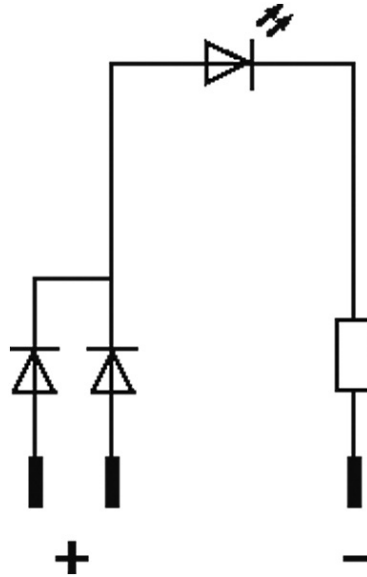


LED-INDICATOR WHITE

LED 5mm - 24V DC - 15mA - IP40

(white)
24 V DC
Protection IP40
with lamp test input

[Link to Product](#)**Illustration**



Product may differ from Image

Technical Data

| | |
|---------------------------------|-----------------------|
| Operating voltage | 24 V AC/DC $\pm 15\%$ |
| Current consumption | 15 ± 2 mA |
| Protection (IEC 60529/EN 60529) | IP40 |

General data

| | |
|---|---------------------------------|
| Housing | Adapter - PVC, gray |
| LED \varnothing | 5 mm |
| Front panel hole diameter \varnothing | 8 mm |
| Dimensions H \times W \times D | 18.5 \times 12 \times 53 mm |
| Connection | Faston 2.8 \times 0.8 mm |
| Temperature range | -40...+70 °C |

Commercial data

| | |
|-----------------------|---------------|
| country of origin | DE |
| customs tariff number | 85318070 |
| EAN | 4048879040860 |
| eClass | 27261590 |
| Packaging unit | 10 |