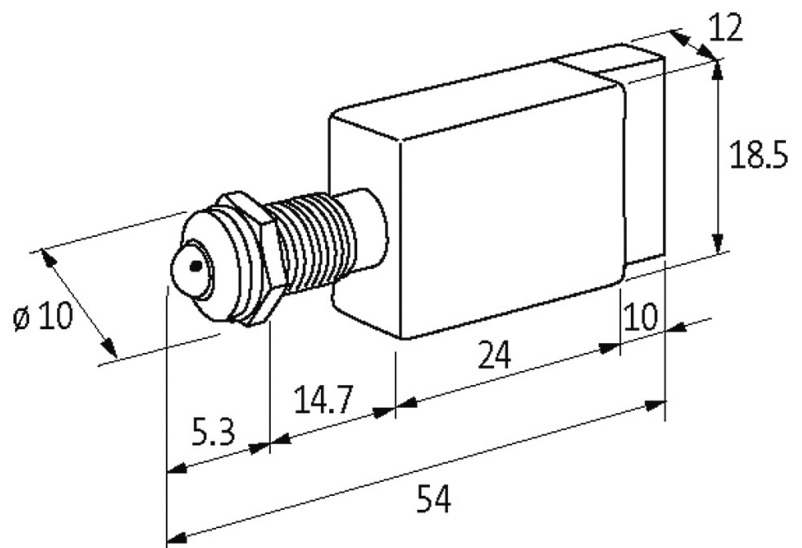


LED-INDICATOR GREEN

LED 5mm - 230V AC/DC - 5mA - IP67

(green)
230 V AC/DC
Protection IP67
with touch protection

[Link to Product](#)**Illustration**



Product may differ from Image

Technical Data

Operating voltage	230 V AC $\pm 10\%$
Current consumption	5 ± 0.5 mA
Protection (IEC 60529/EN 60529)	IP67

General data

LED \varnothing	5 mm
Front panel hole diameter \varnothing	8 mm
Dimensions H x W x D	18.5x12x54 mm
Connection	Faston 2.8 x 0.8 mm
Housing	Adapter - PVC, gray
Temperature range	-40...+70 °C

Commercial data

country of origin	DE
customs tariff number	85318070
EAN	4048879040693
eClass	27261590
Packaging unit	10