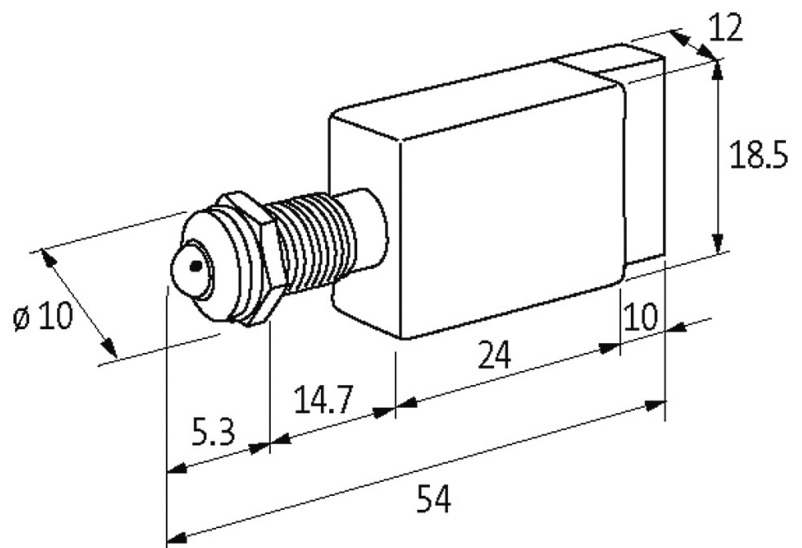


LED-INDICATOR BLUE

LED 5mm - 110V AC/DC - 5mA - IP67

(blue)
110 V AC/DC
Protection IP67
with touch protection

[Link to Product](#)**Illustration**



Product may differ from Image

Technical Data

| | |
|---------------------------------|--------------------------------|
| Operating voltage | 110 V AC/DC (95...121 V AC/DC) |
| Current consumption | 5 ±0.5 mA |
| Protection (IEC 60529/EN 60529) | IP67 |

General data

| | |
|-----------------------------|---------------------|
| Housing | Adapter - PVC, gray |
| LED Ø | 5 mm |
| Front panel hole diameter Ø | 8 mm |
| Dimensions H × W × D | 18.5×12×54 mm |
| Connection | Faston 2.8 × 0.8 mm |
| Temperature range | -40...+70 °C |

Commercial data

| | |
|-----------------------|---------------|
| country of origin | DE |
| customs tariff number | 85318070 |
| EAN | 4048879040679 |
| eClass | 27261590 |
| Packaging unit | 10 |