

MVP12, 4XM12, UNIVERSAL, BASIC HOUSING

Pins wired 1:1 to terminal

4-way UNIVERSAL

Basic module

Screw plug-in terminals

Replaces identical product (Art.No. 276624)

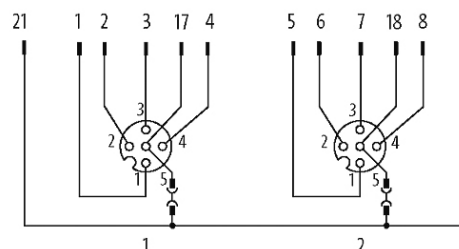
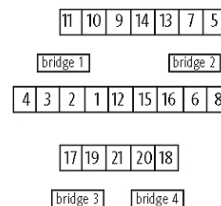
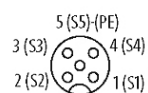
Separation contact 5 possible by removable plug links Plastic housings with good resistance against chemicals and oils. The resistance to aggressive media should be individually tested for your application. Further details on request.

[Link to Product](#)

Illustration

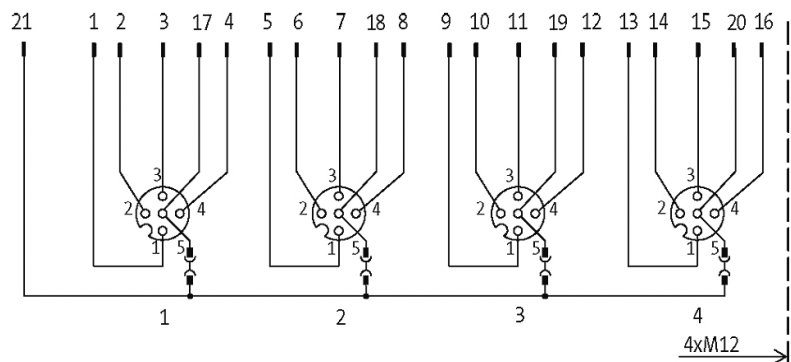
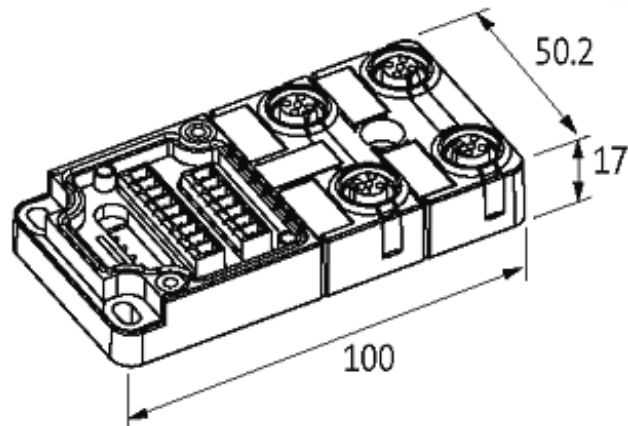


M12-Females 5-pole



free arrangeable, contact 1:1 on terminals
for 5 signals per port, possibility to bridge each PINS

stay connected



Product may differ from Image

Approvals



Contact Layout

PIN 1	(S1)
PIN 2	(S2)
PIN 3	(S3)
PIN 4	(S4)
PIN 5	(S5)/(Earth)

Technical Data

Operating voltage	max. 42 V AC/DC
Operating current per contact	max. 4 A
Total current	max. 8 A
Protection	IP65/IP67
Housing	Plastic, flame retardant

General data

Temperature range	-20...+80 °C
-------------------	--------------

Commercial data

The information in this brochure has been compiled with the utmost care.

Liability for the correctness completeness and topicality of the information is restricted to gross negligence. Version: 03/19

Murrelektronik GmbH | Falkenstraße 3 | 71570 Oppenweiler | Fon +49 (71 91) 47-0 | Fax +49 (71 91) 47-491000 | shop@murrelektronik.com | shop.murrelektronik.com

country of origin	DE
customs tariff number	85369010
EAN	4048879353427
eClass	27279219
Packaging unit	1