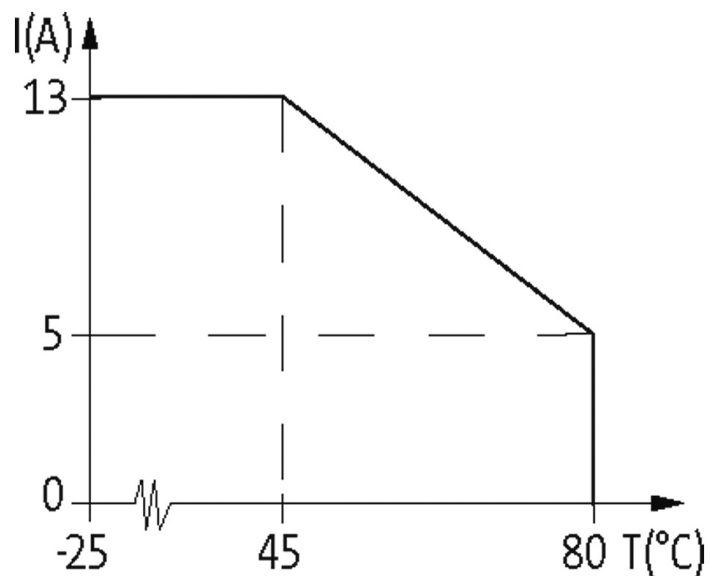


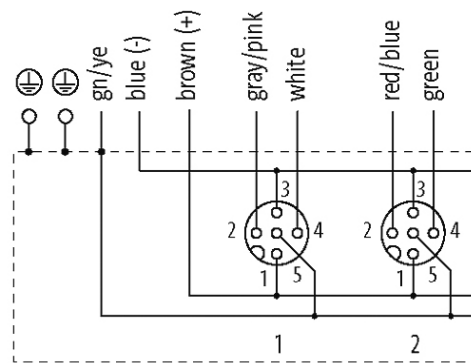
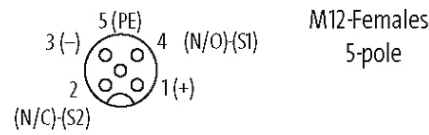
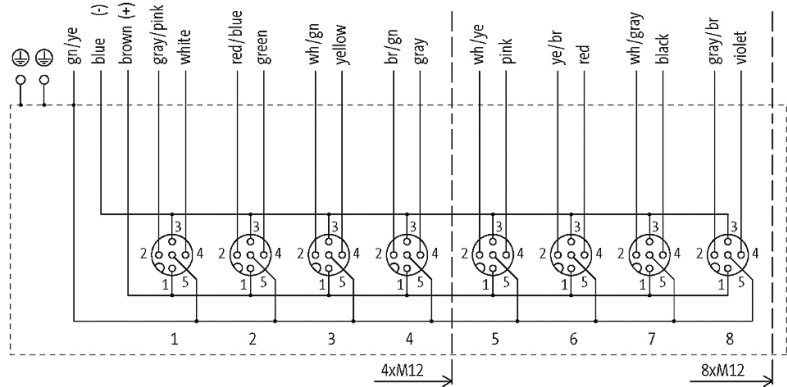
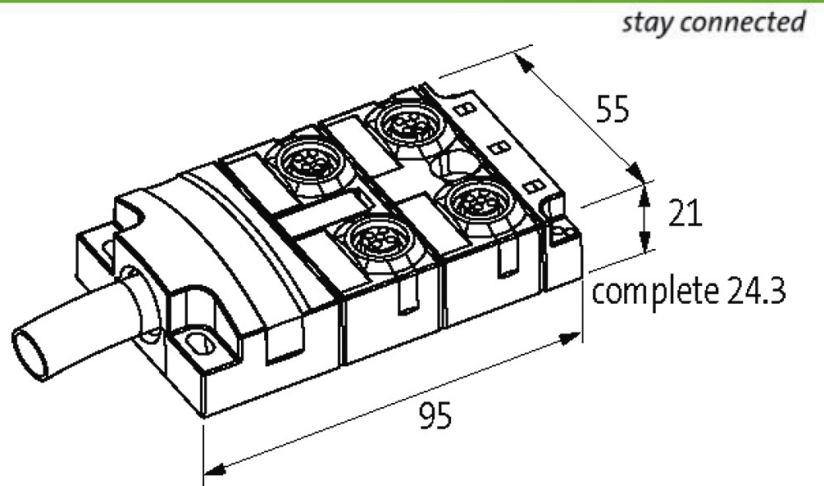
MVP-METALL, 4XM12, 5POLE, PRE-WIRED CABLE

15.0m PUR 8x0,5+3x1,0, UL/CSA

4-way, 5-pole
without LED for analog signals up to 125 V AC/DC
15.0 m
Replaces identical product (Art.No. 27479)

Further cable lengths on request.

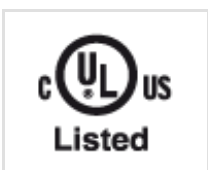
[Link to Product](#)**Illustration**



for 2 signals per port

Product may differ from Image

Approvals



Contact Layout

| | |
|-------|-----------|
| PIN 1 | (+) |
| PIN 2 | (NC)/(S2) |
| PIN 3 | (-) |
| PIN 4 | (NO)/(S1) |
| PIN 5 | (Earth) |

Cables

| | |
|----------------------------|---|
| Cable number | 448 |
| No./diameter of wires | 8×0.5 + 3×1.0 mm ² |
| Wire isolation | T PE (grpk, wh, rdbl, gn, whgn, ye, brgn, gr, br, bl, gnye) |
| C-track properties | 5 Mio. |
| Jacket Color | gray |
| Material (jacket) | PUR (UL/CSA) |
| Outer Ø | 9.1 mm ±5% |
| Bend radius (moving) | 10 × outer Ø |
| Temperature range (fixed) | -40...+90 °C |
| Temperature range (mobile) | -40...+90 °C |
| Material (wire) | Cu wire, bare |
| Bend radius (fixed) | 5 × outer Ø |
| Approval (cable) | UL (AWM-Style 20233), CSA |

Technical Data

| | |
|-------------------------------|---------------------------------------|
| Operating voltage | max. 125 V AC/DC |
| Operating current per contact | max. 4 A |
| Total current | max. 7.5 A |
| Locking of ports | Screw thread M12 × 1 mm |
| Protection | IP65, IP67, IP68 |
| Housing | Zinc die casting, matte nickel plated |

General data

| | |
|-------------------|--|
| Temperature range | -20...+90 °C, depending on cable quality |
|-------------------|--|

Commercial data

| | |
|-----------------------|---------------|
| country of origin | CZ |
| customs tariff number | 85444290 |
| EAN | 4048879350945 |
| eClass | 27279219 |
| Packaging unit | 1 |