

MVP12-METALL, 4XM12, 5-POLE, PRE-WIRED CABLE

10.0m PUR 16x0,34+3X0.75

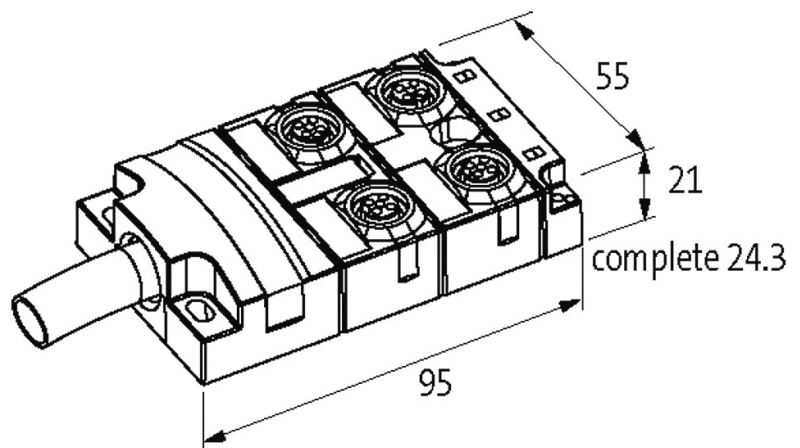
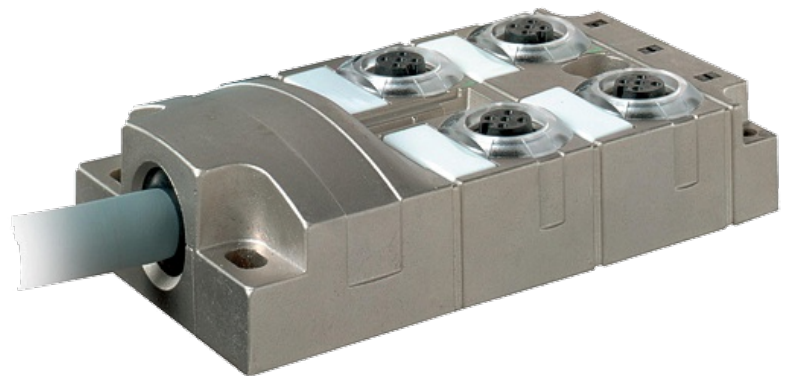
4-way UNIVERSAL, shielded

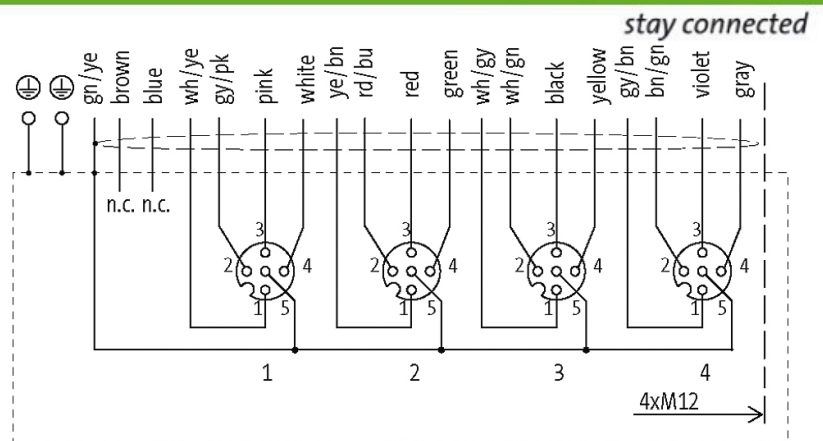
5-pole, with LED

10.0 m

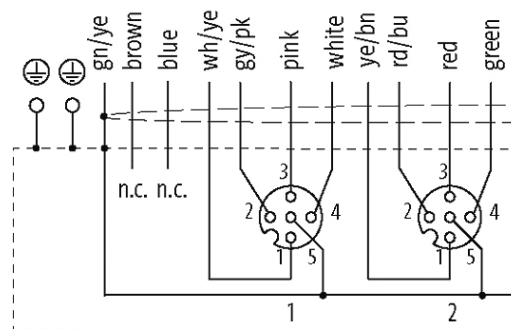
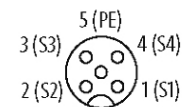
Replaces identical product (Art.No. 27463)

Further cable lengths on request.

[Link to Product](#)**Illustration**



M12-Females 5-pole



for 4 signals per port
free arrangeable, PE bridged

Product may differ from Image

Contact Layout

| | |
|--------|----------------|
| PIN 1 | (S1) |
| PIN 2 | (S2) |
| PIN 3 | (S3) |
| PIN 4 | (S4) |
| PIN 5 | (Earth) |
| Shield | via M12 thread |

Cables

| | |
|-----------------------|--|
| Cable number | 401 |
| No./diameter of wires | 16×0.34 + 3×0.75 mm ² |
| Wire isolation | TPE (grpk, wh, rdbl, gn, whgn, ye, brgn, gr, whye, pk, yebr, rd, whgr, bk, grbr, vi, br, bl, gnye) |
| C-track properties | 5 Mio. |
| Jacket Color | gray |
| Material (jacket) | PUR (UL/CSA) |
| Outer Ø | 11.7 mm ±5% |
| Bend radius (moving) | 12 × outer Ø |

| | |
|---------------------------------|--|
| Temperature range (fixed) | -40...+90 °C |
| Temperature range (mobile) | -40...+90 °C |
| Cable identification | 401 |
| Approval (cable) | UL (AWM-Style 20233/10042), CSA; CE conform |
| Cable weight [g/m] | 237,6 |
| Material (wire) | Cu wire, bare |
| Resistor (core) | max. 53 Ω/km (0.34 mm ²); max. 26 Ω/km (0.75 mm ²); (20 °C) |
| Single wire Ø (core) | 0.1 mm |
| Diameter (core) | 16×0.34 + 3×0.75 mm ² |
| AWG | similar to AWG 22 (0.34 mm ²); similar to AWG 18 (0.75 mm ²) |
| Material (wire isolation) | TPE-E |
| Shore hardness (wire isolation) | 55 ±5 D |
| Wire-Ø incl. isolation | 1.3 ±5% mm (0.34 mm ²); 2.6 ±5% (0.75 mm ²) |
| Color/numbering of wires | grpk, wh, rdbl, gn, whgn, ye, brgn, gr, whye, pk, yebr, rd, whgr, bk, grbr, vi, br, bl, gnye |
| Shield | yes |
| | min. 80% |
| Material (jacket) | PUR |
| Shore hardness (jacket) | 94 ±5 A |
| Outer-Ø (jacket) | 11.7 mm ±5% |
| Color (jacket) | gray |
| chemical resistance | good resistance to oil, gasoline and chemicals (ISO 6722) |
| Nominal voltage | 300/300 V AC |
| Test voltage | 2 000 V AC |
| Current load capacity | to DIN VDE 0298-4 |
| Temperature range (fixed) | -40...+90 °C |
| Temperature range (mobile) | -40...+90 °C |
| Bend radius (fixed) | 10 × outer Ø |
| Bend radius (moving) | 12 × outer Ø |
| No. of bending cycles (C-track) | max. 5 Mio. (25 °C) |
| Travel speed (C-track) | max. 2 m/s |

Technical Data

| | |
|-------------------------------|---------------------------------------|
| Operating voltage | max. 42 V AC/DC |
| Operating current per contact | max. 4 A |
| Total current | max. 10 A |
| Locking of ports | Screw thread M12 × 1 mm |
| Protection | IP65, IP67, IP68 |
| Housing | Zinc die casting, matte nickel plated |

General data

| | |
|-------------------|--|
| Temperature range | -20...+90 °C, depending on cable quality |
|-------------------|--|

Commercial data

| | |
|-----------------------|---------------|
| country of origin | CZ |
| customs tariff number | 85444290 |
| EAN | 4048879350570 |
| eClass | 27279219 |
| Packaging unit | 1 |