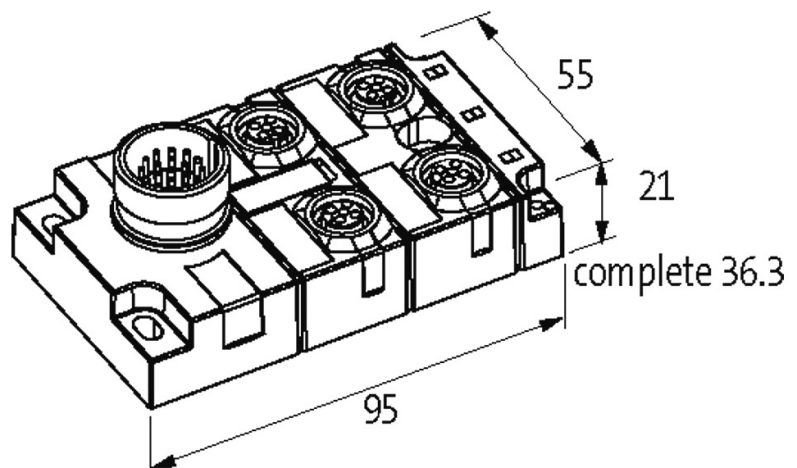
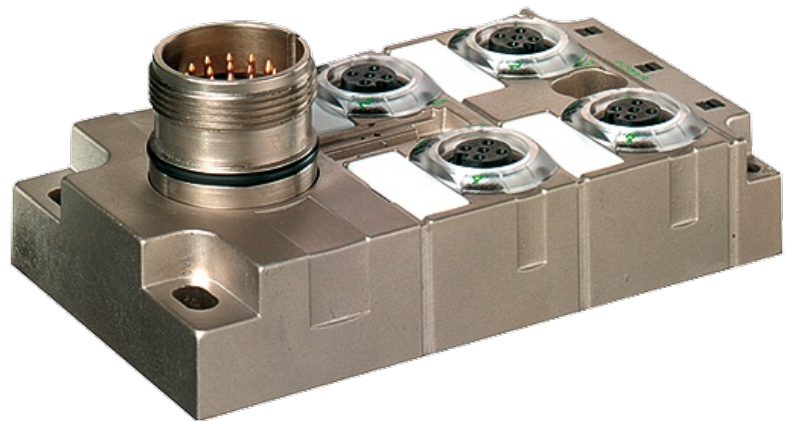


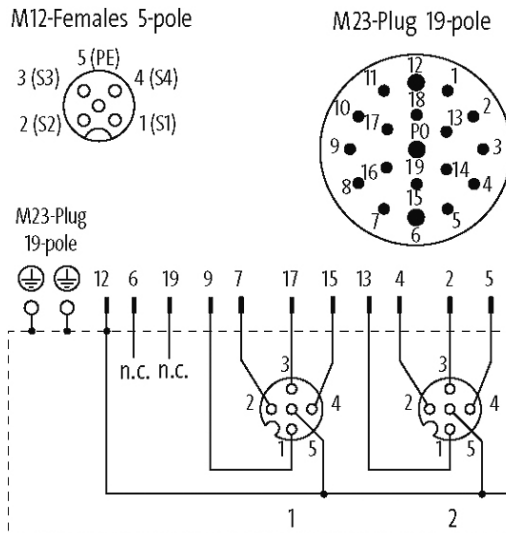
**MVP-METALL, 4XM12, 5POLE, M23 19POL. CON.**

Connector exit frontside

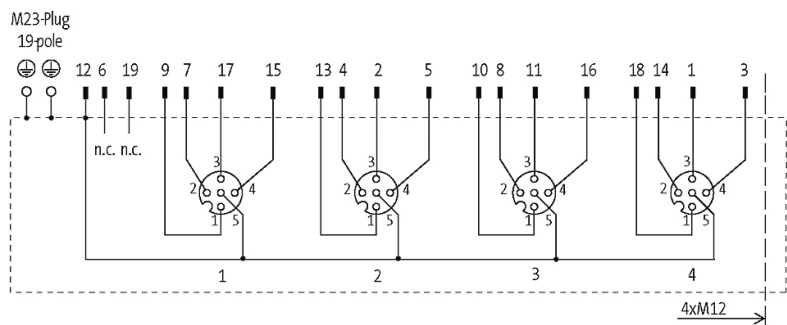
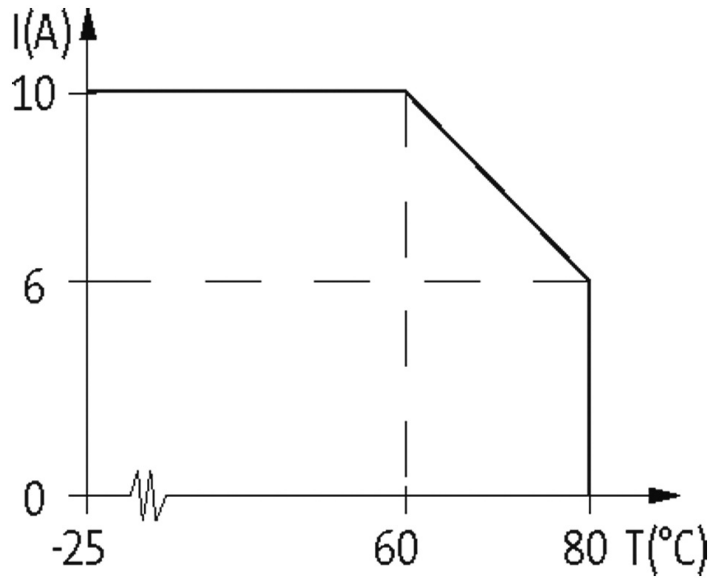
4-way UNIVERSAL, shielded  
M23 plug connection, 19-pole  
without LED for analog signals up to 125 V AC/DC  
Replaces identical product (Art.No. 27533)

M12 contacts 1, 2, 3, 4 single wired; common PE

[Link to Product](#)**Illustration**



for 4 signals per port



Product may differ from Image

### Approvals



### Contact Layout

PIN 1	(S1)
PIN 2	(S2)
PIN 3	(S3)
PIN 4	(S4)
PIN 5	(S5)/(Earth)

### Technical Data

Operating voltage	max. 125 V AC/DC
Operating current per contact	max. 4 A
Total current	max. 7.5 A
Protection	IP65, IP67, IP68
Housing	Zinc die casting, matte nickel plated
Locking of ports	Screw thread M12 × 1 mm

### General data

Temperature range	-25...+90 °C
-------------------	--------------

### Commercial data

country of origin	CZ
customs tariff number	85369010
EAN	4048879352871
eClass	27279219
Packaging unit	1