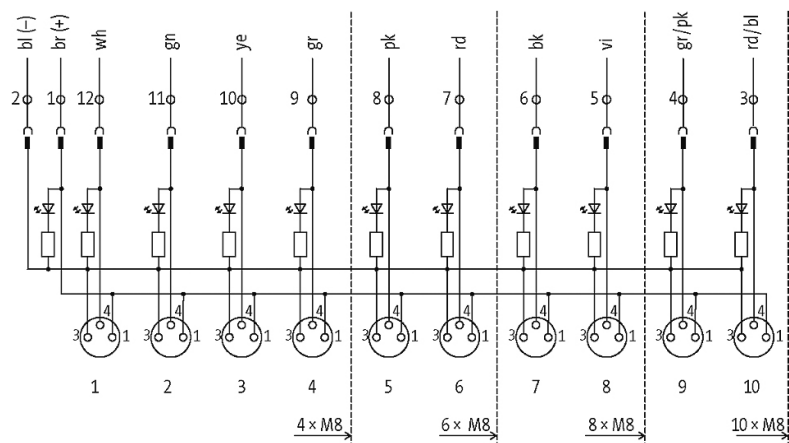
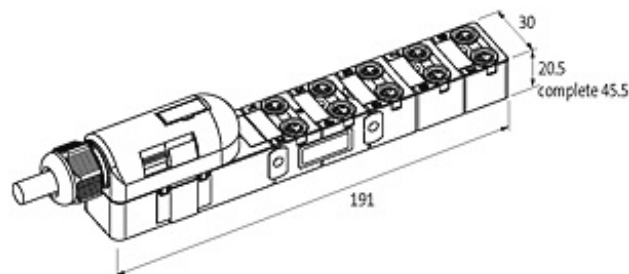


EXACT8, 10XM8, 3 POLE PLUG. CAP, SPRING-TERM.

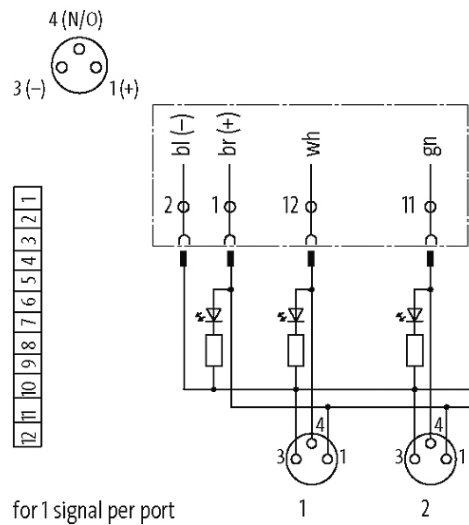
3.0m PUR 10*0,34+2*0,75 exit norm..

10-way, 3-pole
3.0 m

Further cable lengths on request. Plastic housings with good resistance against chemicals and oils. The resistance to aggressive media should be individually tested for your application. Further details on request.

[Link to Product](#)**Illustration**

M8-Females 3-pole



Product may differ from Image

Approvals



Contact Layout

| | |
|-------------|---|
| PIN 1 | (+) |
| PIN 3 | (-) |
| PIN 4 | (NO)/(S1) |
| LED display | LED (green): Power / LED (yellow): (S1) |

Cables

| | |
|----------------------------|----------------------------------|
| Cable number | 384 |
| No./diameter of wires | 10×0.34 + 2×0.75 mm ² |
| C-track properties | 5 Mio. |
| Jacket Color | gray |
| Material (jacket) | PUR (UL/CSA) |
| Outer Ø | 9.3 mm ±5% |
| Bend radius (fixed) | 5 × outer Ø |
| Bend radius (moving) | 10 × outer Ø |
| Temperature range (fixed) | -40...+80 °C |
| Temperature range (mobile) | -5...+60 °C |
| Color (jacket) | gray |
| Approval (cable) | UL (AWM-Style 20233), CSA |

Technical Data

| | |
|-------------------------------|----------|
| Operating voltage | 24 V DC |
| Operating current per contact | max. 2 A |

| | |
|------------------|---|
| Total current | max. 8 A |
| Signal per port | 1 - (31-32) |
| Connection | Spring clamp plug-in terminals: max. 1.5 mm ² (AWG 16) |
| Protection | IP67 inserted and tightened (EN 60529) |
| Housing | Plastic, flame retardant |
| Locking of ports | Screw thread M8 × 1 mm |

General data

| | |
|-------------------|--|
| Temperature range | -20...+80 °C, depending on cable quality |
|-------------------|--|

Commercial data

| | |
|-----------------------|---------------|
| country of origin | CZ |
| customs tariff number | 85444290 |
| EAN | 4048879056892 |
| eClass | 27279219 |
| Packaging unit | 1 |