

EXACT8, 4XM8, 3 POLE BASIC HOUSING, NPN-LED'S

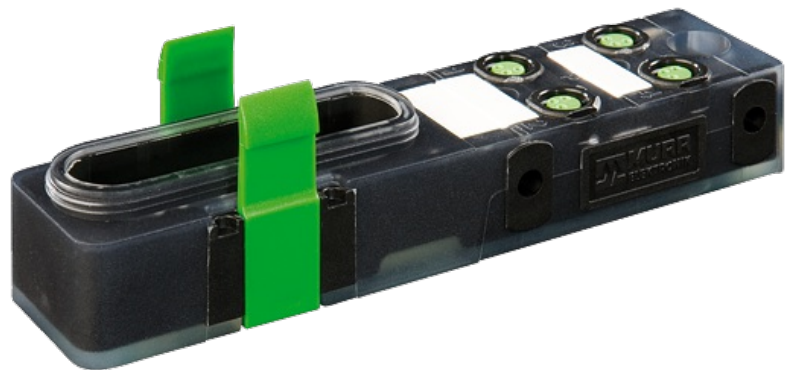
Without connector cable

4-way, 3-pole
 Inline face or side mounting
 for NPN signals 24 V DC

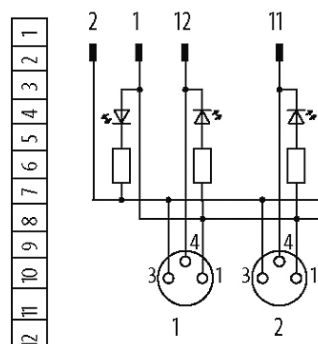
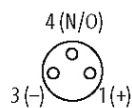
Plastic housings with good resistance against chemicals and oils. The resistance to aggressive media should be individually tested for your application. Further details on request.

[Link to Product](#)

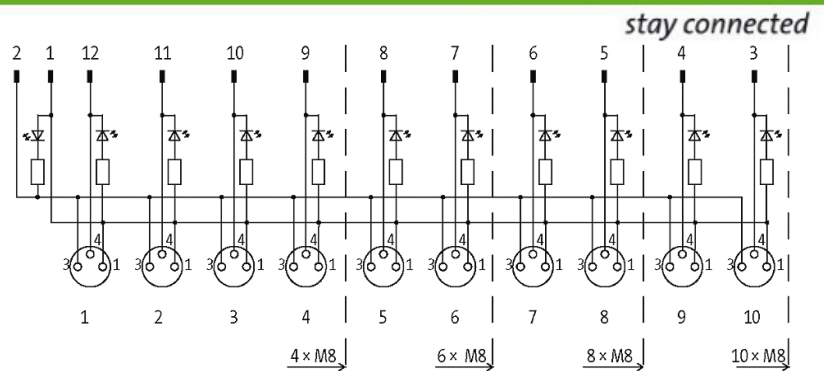
Illustration



M8-Females 3-pole



for 1 signal per port



Product may differ from Image

Approvals



Contact Layout

| | |
|-------------|---|
| PIN 1 | (+) |
| PIN 3 | (-) |
| PIN 4 | (NO)/(S1) |
| LED display | LED (green): Power / LED (yellow): (S1) |

Technical Data

| | |
|-------------------------------|-----------|
| Operating voltage | 24 V DC |
| Operating current per contact | max. 2 A |
| Total current | max. 8 A |
| Protection | IP65/IP67 |

General data

| | |
|-------------------|--|
| Temperature range | -20...+70 °C, depending on cable quality |
|-------------------|--|

Commercial data

| | |
|-----------------------|---------------|
| country of origin | DE |
| customs tariff number | 85369010 |
| EAN | 4048879056601 |
| eClass | 27279219 |
| Packaging unit | 1 |