

## PRE-WIRED CAP FOR EXACT8, 4XM8, 3 POLE

10.0m PUR 4X0.34+2x0,75, UL/CSA

for 4-way distribution box, 3-pole  
10.0 m

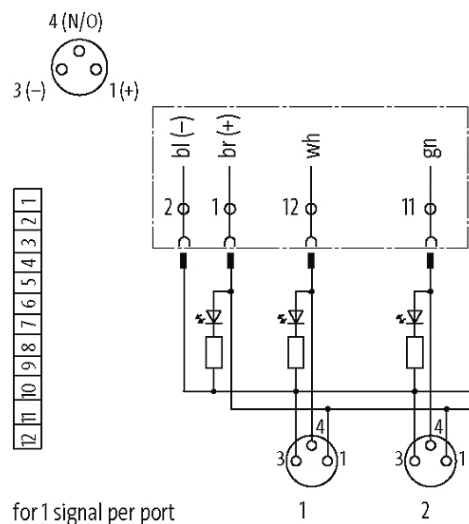
Further cable lengths on request. Plastic housings with good resistance against chemicals and oils. The resistance to aggressive media should be individually tested for your application. Further details on request.

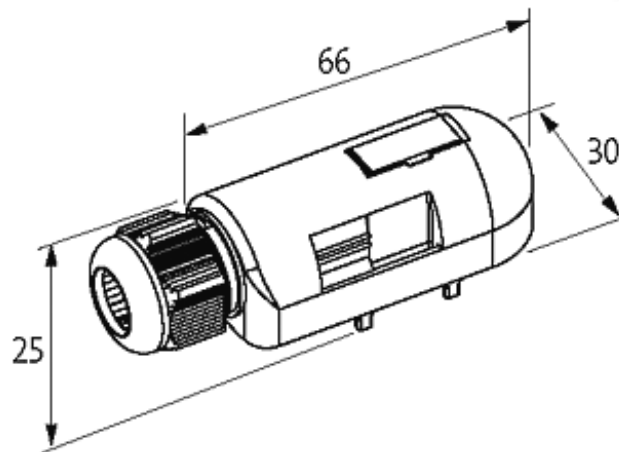
### [Link to Product](#)

#### Illustration



M8-Females 3-pole





Product may differ from Image

### Approvals



### Cables

Cable number	334
No./diameter of wires	4×0.34 + 2×0.75 mm <sup>2</sup>
Wire isolation	TPE-E
C-track properties	5 Mio.
Jacket Color	gray
Material (jacket)	PUR (UL/CSA)
Outer Ø	7.6 mm ±5%
Bend radius (fixed)	5 × outer Ø
Bend radius (moving)	10 × outer Ø
Temperature range (fixed)	-40...+80 °C
Temperature range (mobile)	-5...+60 °C
Color (jacket)	gray

### Technical Data

Total current	max. 8 A
Housing	Plastic, flame retardant

### General data

Temperature range	-20...+80 °C, depending on cable quality
-------------------	--

### Commercial data

country of origin	CZ
customs tariff number	85444290
EAN	4048879056373
eClass	27143423
Packaging unit	1

