

PRE-WIRED CAP FOR EXACT8, 4XM8, 3 POLE

3.0m PUR/PVC 4X0.34+2x0,75

for 4-way distribution box, 3-pole
PUR/PVC
3.0 m

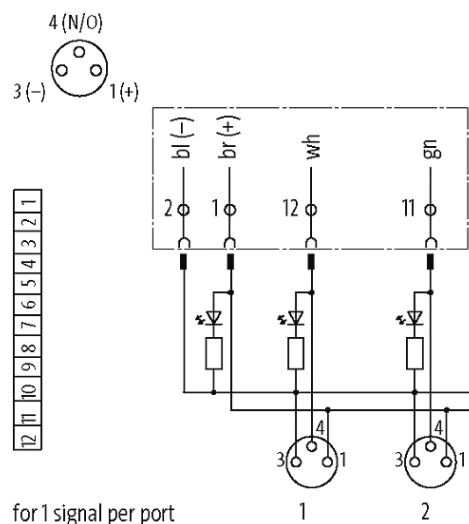
Further cable lengths on request. Plastic housings with good resistance against chemicals and oils. The resistance to aggressive media should be individually tested for your application. Further details on request.

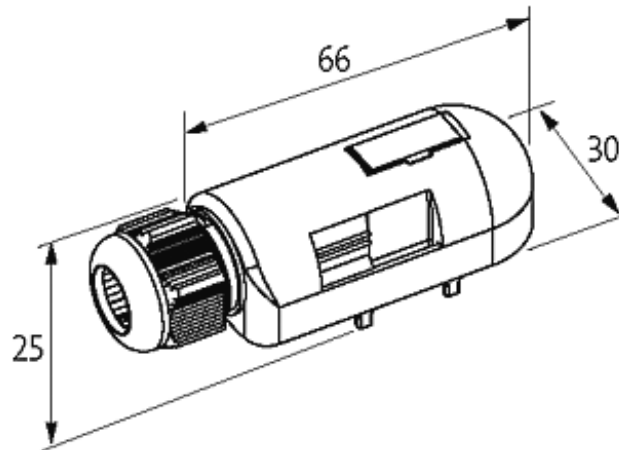
[Link to Product](#)

Illustration



M8-Females 3-pole





Product may differ from Image

Approvals



Cables

| | |
|----------------------------|---------------------------------|
| Cable number | 337 |
| No./diameter of wires | 4×0.34 + 2×0.75 mm ² |
| Wire isolation | PVC (br, bl, ye, wh, gn, gr) |
| C-track properties | 2 Mio. |
| Jacket Color | gray |
| Material (jacket) | PUR/PVC |
| Outer Ø | 6.9 mm ±5% |
| Bend radius (fixed) | 5 × outer Ø |
| Bend radius (moving) | 10 × outer Ø |
| Temperature range (fixed) | -30...+80 °C |
| Temperature range (mobile) | -5...+60 °C |
| Color (jacket) | gray |

Technical Data

| | |
|---------------|--------------------------|
| Total current | max. 8 A |
| Housing | Plastic, flame retardant |

General data

| | |
|-------------------|--|
| Temperature range | -20...+80 °C, depending on cable quality |
|-------------------|--|

Commercial data

| | |
|-----------------------|---------------|
| country of origin | CZ |
| customs tariff number | 85444290 |
| EAN | 4048879056359 |
| eClass | 27143423 |
| Packaging unit | 1 |

