

EXACT8, 4XM8, 3 POLE

Conn.M12 12 pole

4-way, 3-pole

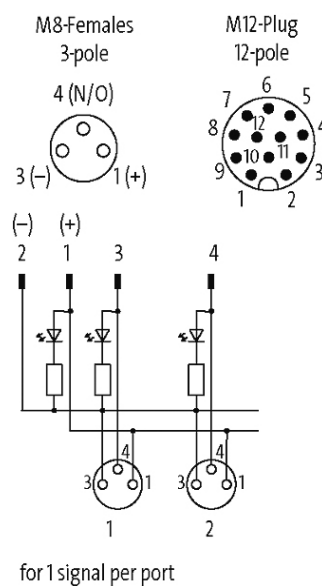
M12 (12-pole)

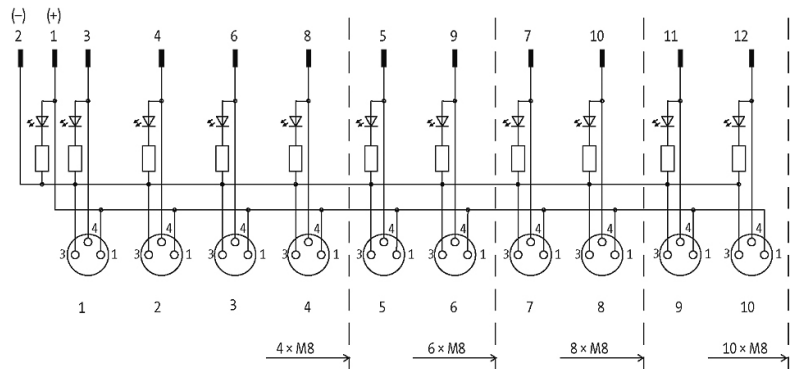
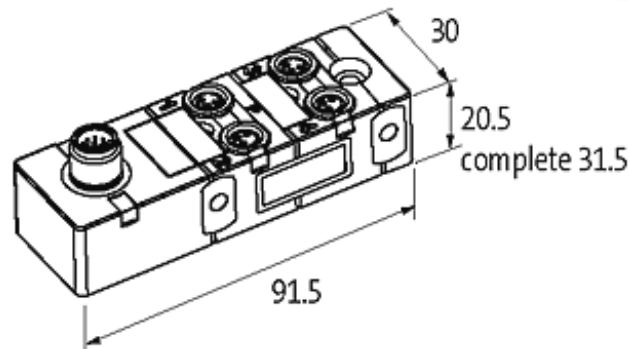
Inline face or side mounting

Plastic housings with good resistance against chemicals and oils. The resistance to aggressive media should be individually tested for your application. Further details on request.

[Link to Product](#)

Illustration





Product may differ from Image

Approvals



Contact Layout

| | |
|-------------|---|
| PIN 1 | (+) |
| PIN 3 | (-) |
| PIN 4 | (NO)/(S1) |
| LED display | LED (green): Power / LED (yellow): (S1) |

Technical Data

| | |
|-------------------------------|--|
| Operating voltage | 24 V DC |
| Operating current per contact | max. 1.5 A |
| Protection | IP67 inserted and tightened (EN 60529) |
| Housing | Plastic, flame retardant |

General data

| | |
|-------------------|--|
| Temperature range | -20...+70 °C, depending on cable quality |
|-------------------|--|

Commercial data

| | |
|-----------------------|---------------|
| country of origin | DE |
| customs tariff number | 85369010 |
| EAN | 4048879056311 |

| | |
|----------------|----------|
| eClass | 27279219 |
| Packaging unit | 1 |