

EXACT8, 4XM8, 4 POLE BASIC HOUSING

Without homerun-cable

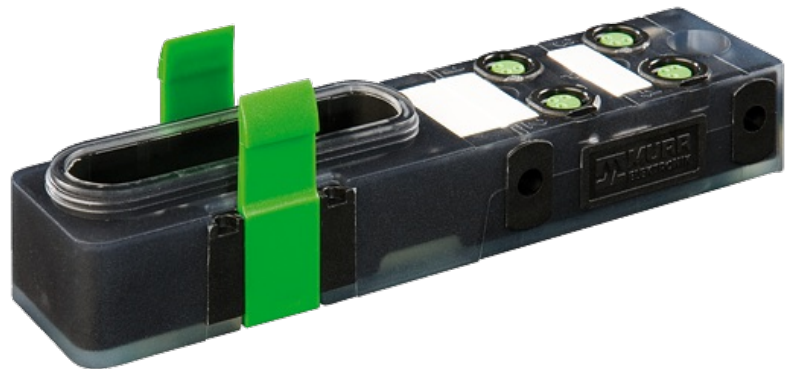
4-way, 4-pole

Inline face or side mounting

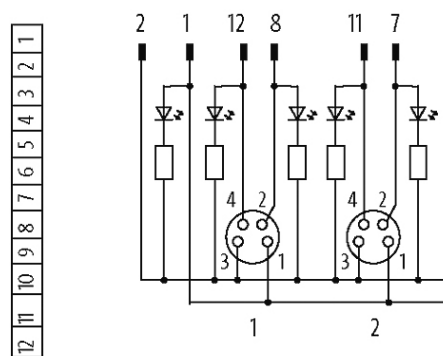
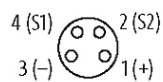
Plastic housings with good resistance against chemicals and oils. The resistance to aggressive media should be individually tested for your application. Further details on request.

[Link to Product](#)

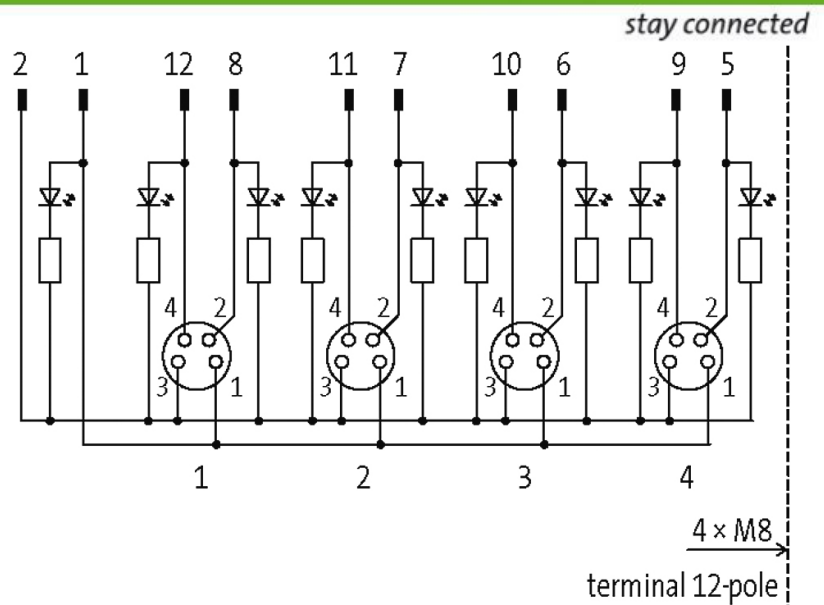
Illustration



M8 Females 4-pole



for 2 signals per port



Product may differ from Image

Approvals



Contact Layout

PIN 1	(+)
PIN 2	(NC)/(S2)
PIN 3	(-)
PIN 4	(NO)/(S1)
LED display	LED (green): Power / LED (yellow): (S1) / LED (white): Signal (S2)

Technical Data

Operating voltage	24 V DC
Operating current per contact	max. 2 A
Total current	max. 8 A
Protection	IP65/IP67

General data

Temperature range	-20...+70 °C, depending on cable quality
-------------------	--

Commercial data

country of origin	DE
customs tariff number	85444290
EAN	4048879056298
eClass	27279219
Packaging unit	1