

## EXACT8, 4XM8, 4 POLE MOULDED CABLE

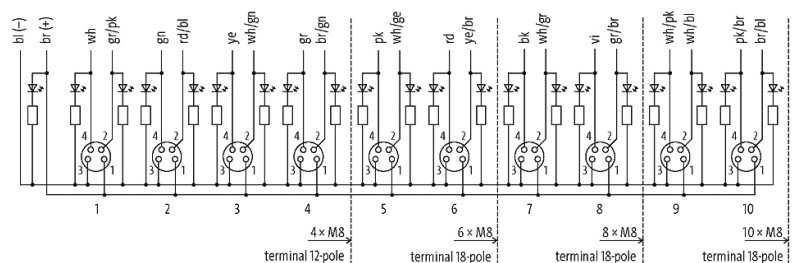
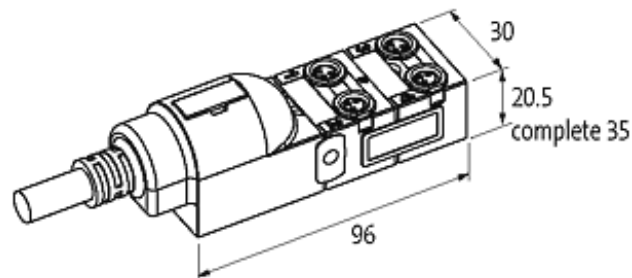
3.0m PUR/PVC 8x0,34+2x0,75

4-way, 4-pole  
PUR/PVC  
3.0 m

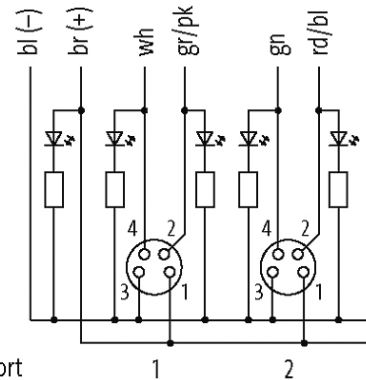
Further cable lengths on request. Plastic housings with good resistance against chemicals and oils. The resistance to aggressive media should be individually tested for your application. Further details on request.

### [Link to Product](#)

#### Illustration



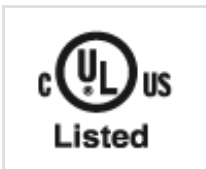
M8-Females 4-pole



for 2 signals per port

Product may differ from Image

### Approvals



### Contact Layout

PIN 1	(+)
PIN 2	(NC)/(S2)
PIN 3	(-)
PIN 4	(NO)/(S1)
LED display	LED (green): Power / LED (yellow): (S1) / LED (white): Signal (S2)

### Cables

Cable number	358
No./diameter of wires	8×0.34 + 2×0.75 mm <sup>2</sup>
Wire isolation	PVC
C-track properties	1.5 Mio.
Jacket Color	gray
Material (jacket)	PUR/PVC
Outer Ø	8.6 mm ±5%
Bend radius (fixed)	10 × outer Ø
Bend radius (moving)	12 × outer Ø
Temperature range (fixed)	-30...+70 °C
Temperature range (mobile)	-5...+60 °C
Color (jacket)	gray

### Technical Data

Operating voltage	24 V DC
-------------------	---------

Operating current per contact	max. 2 A
Total current	max. 8 A
Signal per port	2
Protection	IP65/IP67
Housing	Plastic, flame retardant
Locking of ports	Screw thread M8 × 1 mm

**General data**

Temperature range	-20...+80 °C, depending on cable quality
-------------------	------------------------------------------

**Commercial data**

country of origin	DE
customs tariff number	85444290
EAN	4048879056274
eClass	27279219
Packaging unit	1