

## PRE-WIRED CAP FOR EXACT8, 4XM8, 4-POL

10.0m PUR 8x0,34+2x0,75

for 4-way distribution box, 4-pole  
10.0 m

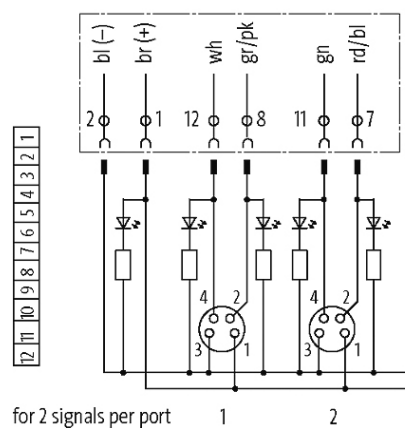
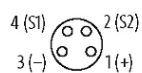
Further cable lengths on request. Plastic housings with good resistance against chemicals and oils. The resistance to aggressive media should be individually tested for your application. Further details on request.

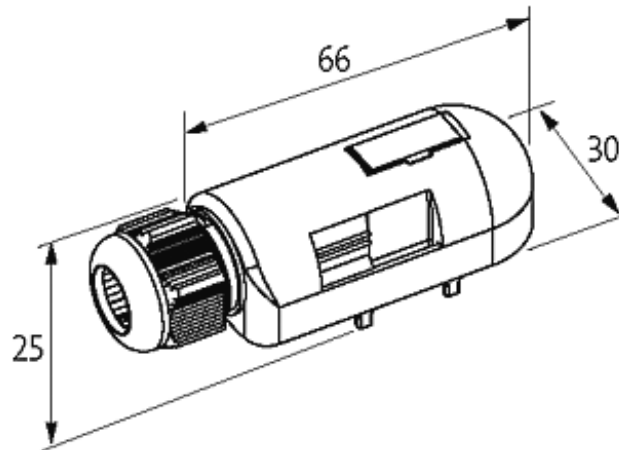
### [Link to Product](#)

#### Illustration



M8-Females 4-pole





Product may differ from Image

### Approvals



### Cables

|                            |   |
|----------------------------|---|
| Cable number               | 360   |
| No./diameter of wires      | 8×0.34 + 2×0.75 mm <sup>2</sup>                     |
| Wire isolation             | TPE (brgn, whgn, rdbl, grpk, gr, ye, gn, wh+br, bl) |
| C-track properties         | 5 Mio.  |
| Jacket Color               | gray  |
| Material (jacket)          | PUR (UL/CSA)  |
| Outer Ø                    | 9.2 mm ±5%  |
| Bend radius (fixed)        | 5 × outer Ø   |
| Bend radius (moving)       | 10 × outer Ø  |
| Temperature range (fixed)  | -40...+80 °C  |
| Temperature range (mobile) | -5...+60 °C   |
| Color (jacket)             | gray  |

### Technical Data

|               |                          |
|---------------|--------------------------|
| Total current | max. 8 A                 |
| Housing       | Plastic, flame retardant |

### General data

|                   |  |
|-------------------|--|
| Temperature range | -20...+80 °C, depending on cable quality |
|-------------------|--|

### Commercial data

|                       |               |
|-----------------------|---------------|
| country of origin     | CZ            |
| customs tariff number | 85444290      |
| EAN                   | 4048879056113 |
| eClass                | 27143423      |
| Packaging unit        | 1             |

