

**EXACT12, 4XM12, 4 POLE CAP, PLUG. SPRING TERM.**

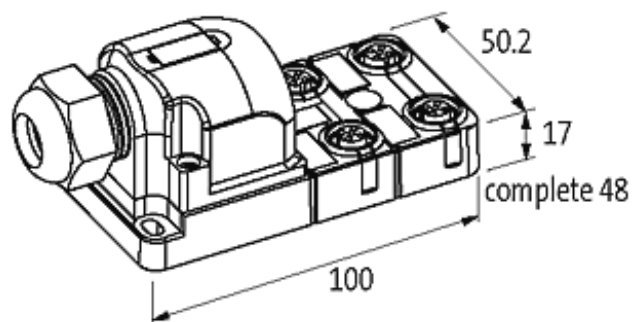
Self wireable, PNP LED

4-way, 4-pole

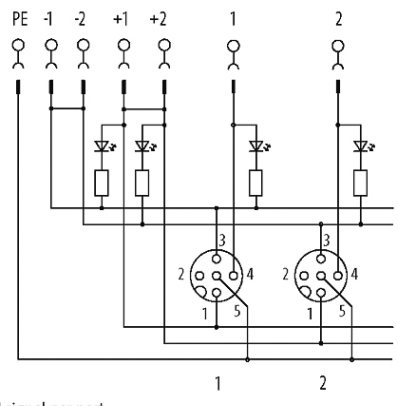
Form PNP

Spring clamp plug-in terminals

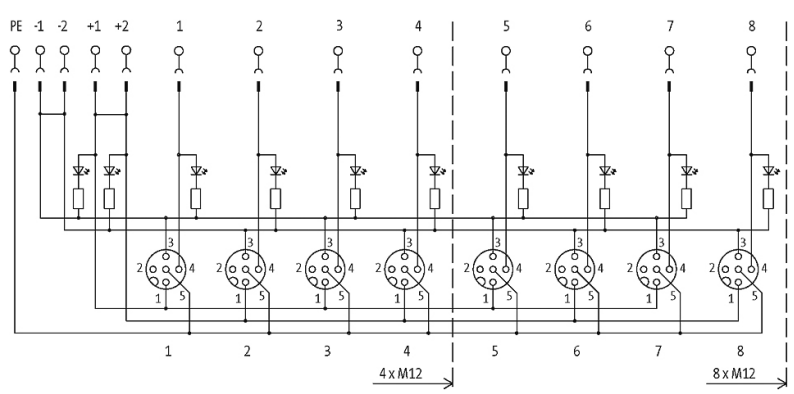
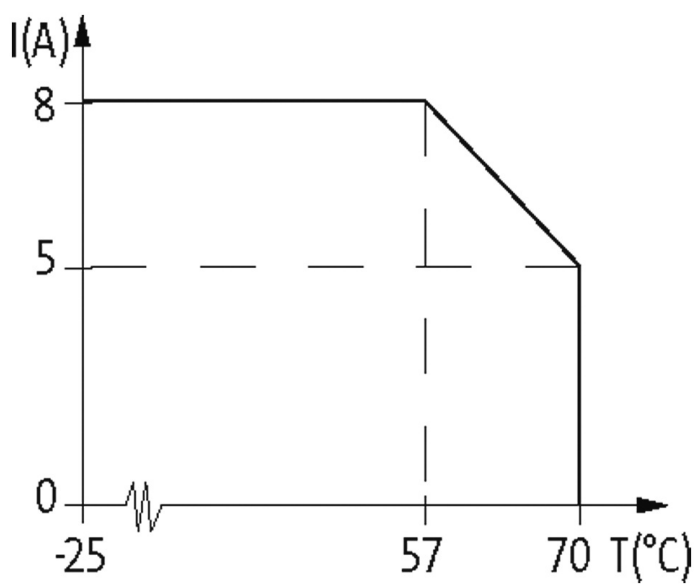
Plastic housings with good resistance against chemicals and oils. The resistance to aggressive media should be individually tested for your application. Further details on request.

[Link to Product](#)**Illustration**

M12-Females 4-pole



for 1 signal per port



Product may differ from Image

**Approvals**



### Contact Layout

PIN 1	(+)
PIN 3	(-)
PIN 4	(NO)/(S1)
PIN 5	(Earth)
LED display	LED (green): Power / LED (yellow): (S1)

### Technical Data

Operating voltage	24 V DC
Operating current per contact	max. 4 A
Total current	max. 8 A
Connection	Spring clamp plug-in terminals: max. 1.5 mm <sup>2</sup> (AWG 16)
Protection	IP65/IP67
Housing	Plastic, flame retardant

### General data

Temperature range	-20...+70 °C
-------------------	--------------

### Commercial data

country of origin	DE
customs tariff number	85369010
EAN	4048879055963
eClass	27279219
Packaging unit	1