

EXACT12, 4XM12, 4 POLE

Conn.M12 8pole

4-way

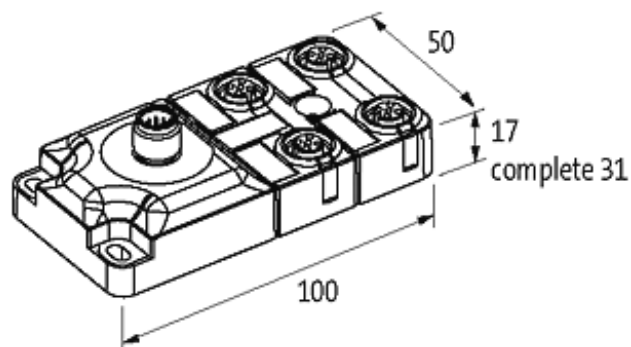
4-pole (port 3+4)

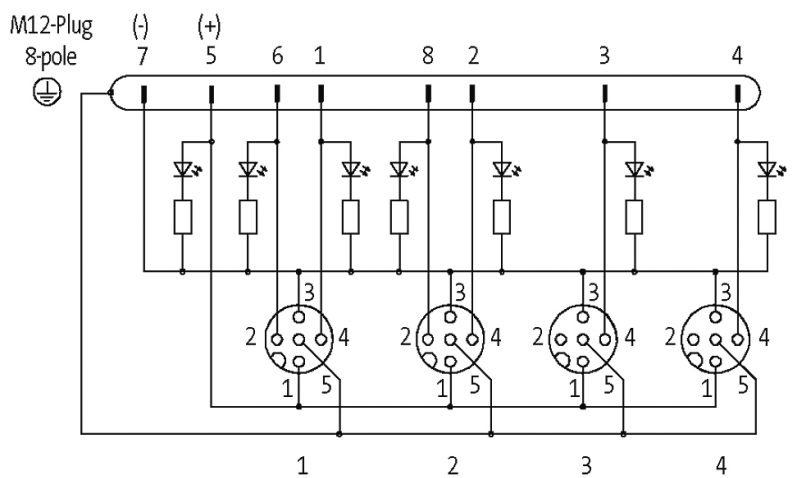
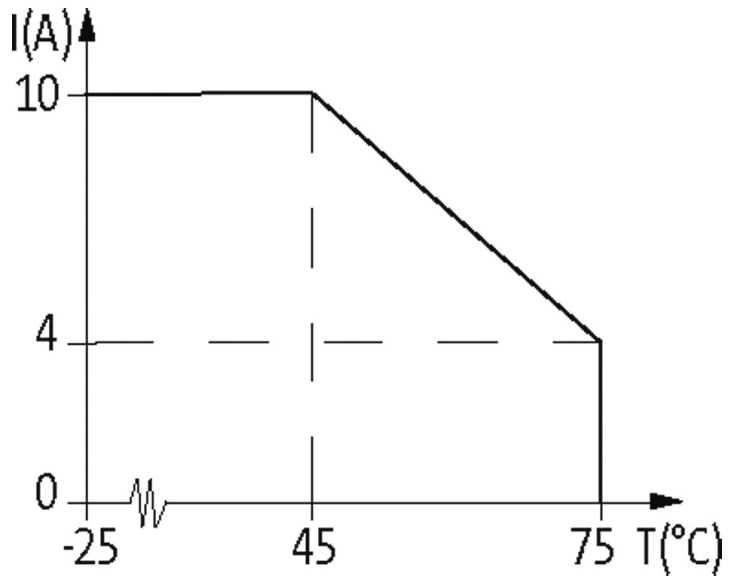
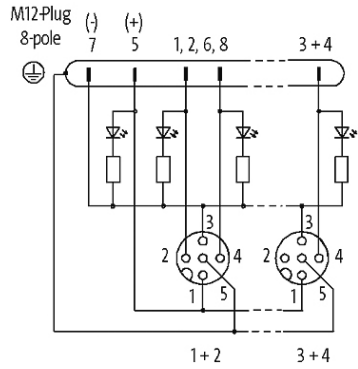
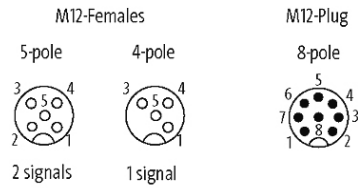
5-pole (port 1+2)

M12 plug connection, 8-pole

with LED for digital PNP-signals 24 V DC

Plastic housings with good resistance against chemicals and oils. The resistance to aggressive media should be individually tested for your application. Further details on request.

[Link to Product](#)**Illustration**



Product may differ from Image

Approvals



Contact Layout

PIN 1	(+)
PIN 2	(NC)/(S2)
PIN 3	(-)
PIN 4	(NO)/(S1)
PIN 5	(Earth)
LED display	LED (green): Power / LED (yellow): (S1) / LED (white): Signal (S2)

Technical Data

Operating voltage	24 V DC
Operating current per contact	max. 2 A
Total current	max. 2 A
Protection	IP65/IP67
Housing	Plastic, flame retardant

General data

Temperature range	-20...+70 °C
-------------------	--------------

Commercial data

country of origin	DE
customs tariff number	85369010
EAN	4048879323086
eClass	27279219
Packaging unit	1