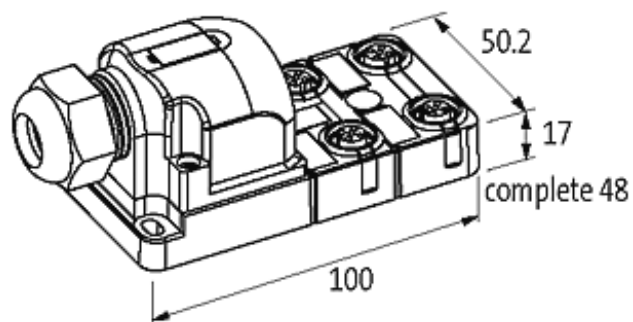


EXACT12, 4XM12, 5-POLE, CAP, PLUG. SCREW-TERM

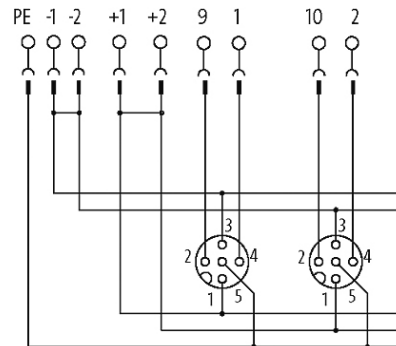
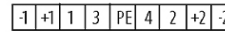
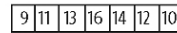
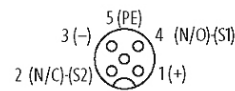
W.o. LEDs

4-way, 5-pole
without LED, up to 125 V AC/DC
Screw plug-in terminals

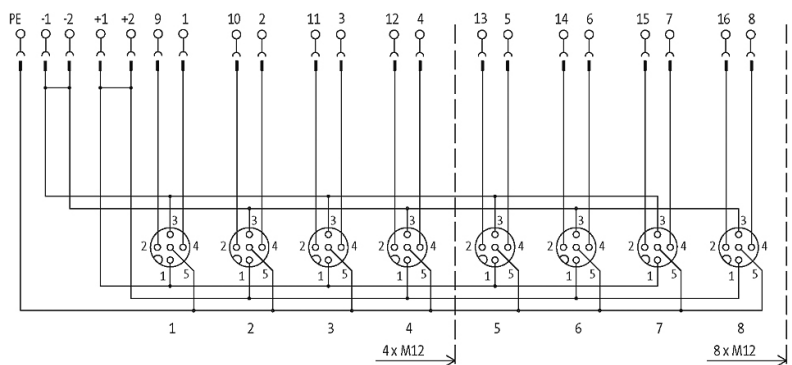
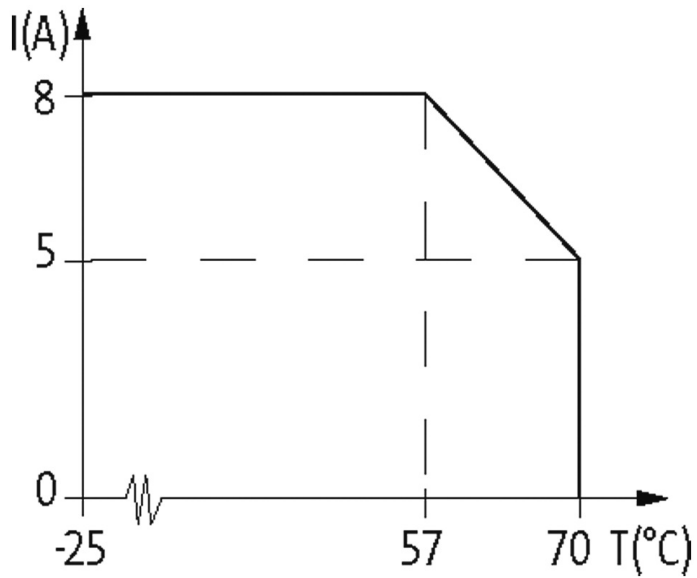
Plastic housings with good resistance against chemicals and oils. The resistance to aggressive media should be individually tested for your application. Further details on request. Further cable lengths on request.

[Link to Product](#)**Illustration**

M12-Females 5-pole



for 2 signals per port



Product may differ from Image

Contact Layout

PIN 1 (+)

PIN 2 (NC)/(S2)

PIN 3 (-)

PIN 4	(NO)/(S1)
-------	-----------

PIN 5	(Earth)
-------	---------

Technical Data

Operating voltage	125 V AC/DC
-------------------	-------------

Operating current per contact	max. 4 A
-------------------------------	----------

Total current	max. 8 A
---------------	----------

Connection	Screw plug-in terminals: max. 1.5 mm ² (AWG 16)
------------	--

Protection	IP65/IP67
------------	-----------

Housing	Plastic, flame retardant
---------	--------------------------

General data

Temperature range	-20...+70 °C
-------------------	--------------

Commercial data

country of origin	DE
-------------------	----

customs tariff number	85369010
-----------------------	----------

EAN	4048879055611
-----	---------------

eClass	27279219
--------	----------

Packaging unit	1
----------------	---