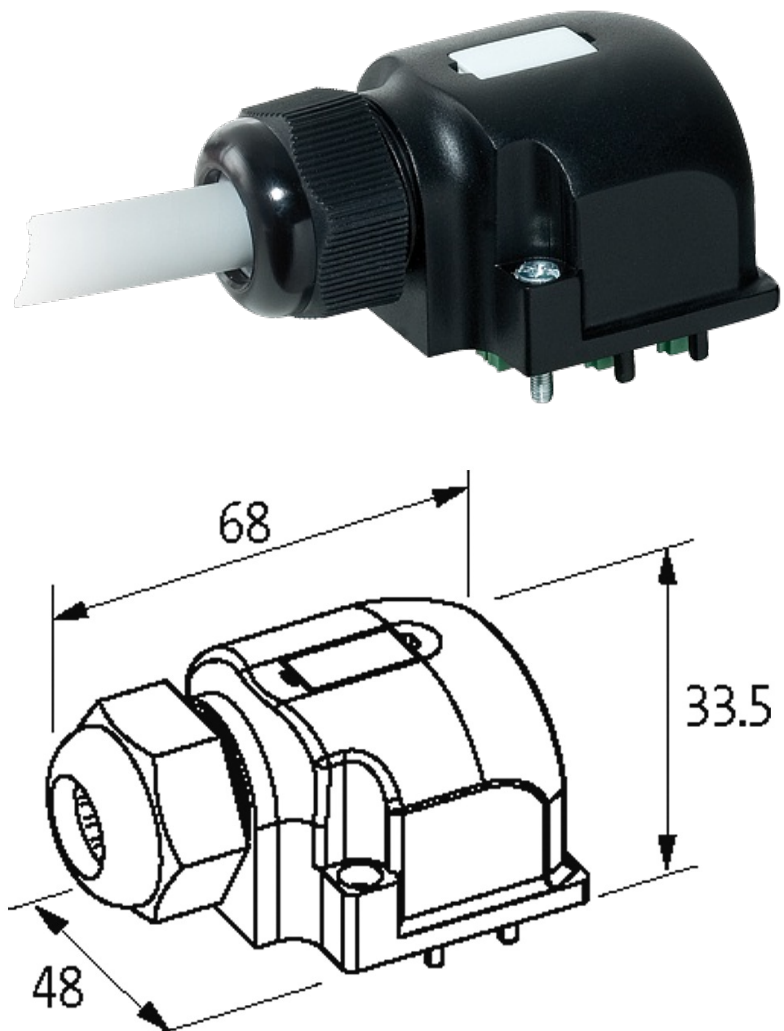


CAP FOR D-BOX M12 4-WAY 5-POLE

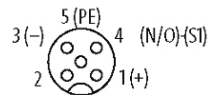
No pot.-sep. 10m PUR/PVC, 8x0,34+3X0.75

for 4-way distribution boxes, 5-pole
10.0 m

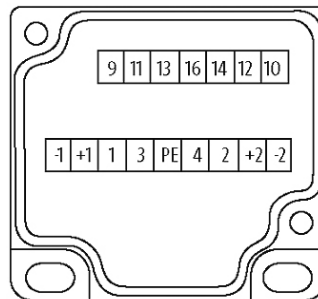
Further cable lengths on request. Plastic housings with good resistance against chemicals and oils. The resistance to aggressive media should be individually tested for your application. Further details on request.

[Link to Product](#)**Illustration**

M12-Females 5-pole



Exact12



for 2 signals per port

Product may differ from Image

Cables

| | |
|------------------------------------|---|
| Cable number | 363 |
| No./diameter of wires | 8×0.34 + 3×0.75 mm ² |
| Wire isolation | PVC |
| C-track properties | 2 Mio. |
| Jacket Color | gray |
| Material (jacket) | PUR/PVC (UL/CSA) |
| Outer Ø | 8.1 mm ±5% |
| Bend radius (moving) | 10 × outer Ø |
| Temperature range (fixed) | -30...+80 °C |
| Temperature range (mobile) | -5...+70 °C |
| Cable identification | 363 |
| Cable Type | 2 (PUR/PVC) |
| Approval (cable) | UL (AWM-Style 21441/10955), CE conform |
| Cable weight [g/m] | 115,5 |
| Material (wire) | Cu wire, bare |
| Resistor (core) | max. 57 Ω/km (0.34 mm ²), max. 26 Ω/km (0.75 mm ²); (20 °C) |
| Single wire Ø (core) | 0.15 mm (0.34 mm ²); 0.2 mm (0.75 mm ²) |
| Construction (core) | 19 × 0.15 mm (0.34 mm ²); 24 × 0.2 mm (0.75 mm ²); (wire class 5) |
| Diameter (core) | 8×0.34 + 3×0.75 mm ² |
| AWG | similar to AWG 22 (0.34 mm ²); similar to AWG 18 (0.75 mm ²) |
| Material (wire isolation) | PVC |
| Material property (wire isolation) | CFC-, cadmium-, silicone- and lead-free |
| Shore hardness (wire isolation) | 43 ±5 D |
| Wire-Ø incl. isolation | 1.3 mm ±5% (0.34 mm ²); 1.8 mm ±5% (0.75 mm ²) |
| Shield | no |
| Material (jacket) | PUR/PVC |

| | |
|---------------------------------|---|
| Shore hardness (jacket) | 87 ±5 A |
| Outer-Ø (jacket) | 8.1 mm ±5% |
| Color (jacket) | gray |
| chemical resistance | good resistance to oil, gasoline and chemicals (EN 60811-404) |
| Nominal voltage | U0/U 300/300 V AC |
| Test voltage | 2 000 V AC |
| Current load capacity | to DIN VDE 0298-4 |
| Temperature range (fixed) | -30...+80 °C |
| Temperature range (mobile) | -5...+70 °C |
| Bend radius (fixed) | 5 × outer Ø |
| Bend radius (moving) | 10 × outer Ø |
| No. of bending cycles (C-track) | max. 2 Mio. (25 °C) |
| Traversing distance (C-track) | max. 5 m (horizontal) |
| Travel speed (C-track) | max. 2 m/s |
| Acceleration (C-track) | max. 10 m/s ² |

Technical Data

| | |
|---------------|--------------------------|
| Housing | Plastic, flame retardant |
| Total current | max. 8 A |

General data

| | |
|-------------------|--|
| Temperature range | -20...+80 °C, depending on cable quality |
|-------------------|--|

Commercial data

| | |
|-----------------------|---------------|
| country of origin | CZ |
| customs tariff number | 85444290 |
| EAN | 4048879055581 |
| eClass | 27143423 |
| Packaging unit | 1 |