

## EXACT8, 6XM8, 3 POLE BASIC HOUSING, NPN-LED'S

Without connector cable

6-way, 3-pole  
 Inline face or side mounting  
 for NPN signals 24 V DC

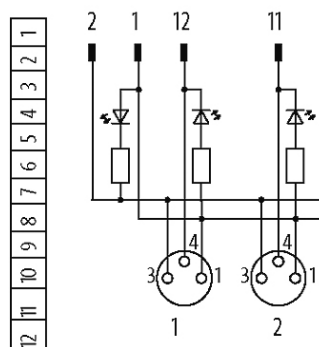
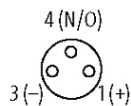
Plastic housings with good resistance against chemicals and oils. The resistance to aggressive media should be individually tested for your application. Further details on request.

### [Link to Product](#)

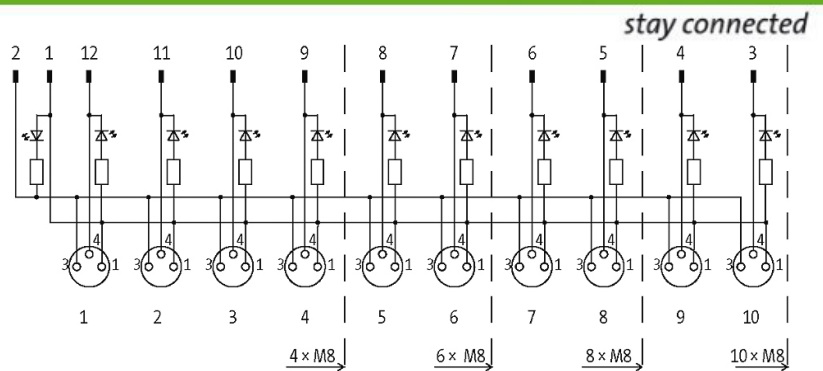
#### Illustration



M8-Females 3-pole



for 1 signal per port



Product may differ from Image

### Approvals



### Contact Layout

PIN 1	(+)
PIN 3	(-)
PIN 4	(NO)/(S1)
LED display	LED (green): Power / LED (yellow): (S1)

### Technical Data

Operating voltage	24 V DC
Operating current per contact	max. 2 A
Total current	max. 8 A
Protection	IP65/IP67

### General data

Temperature range	-20...+70 °C, depending on cable quality
-------------------	------------------------------------------

### Commercial data

country of origin	DE
customs tariff number	85369010
EAN	4048879055307
eClass	27279219
Packaging unit	1