

EXACT8, 8XM8, 4 POLE BASIC HOUSING

Without homerun-cable

8-way, 4-pole

Inline face or side mounting

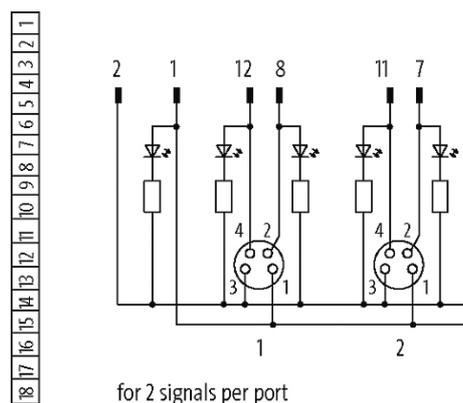
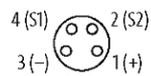
Plastic housings with good resistance against chemicals and oils. The resistance to aggressive media should be individually tested for your application. Further details on request.

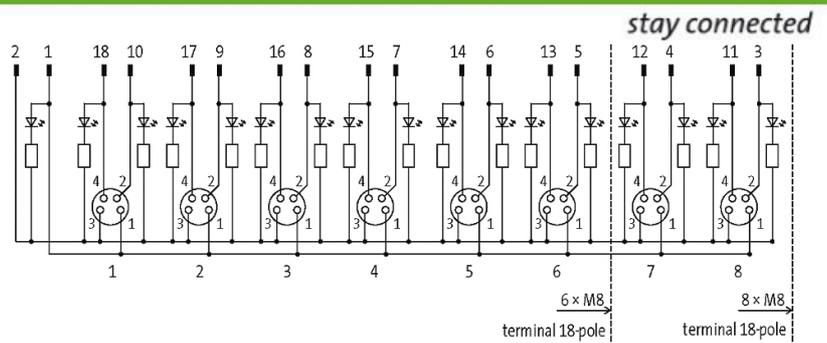
[Link to Product](#)

Illustration



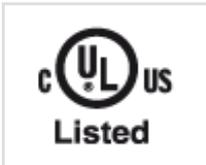
M8-Females 4-pole





Product may differ from Image

Approvals



Contact Layout

| | |
|-------------|--|
| PIN 1 | (+) |
| PIN 2 | (NC)/(S2) |
| PIN 3 | (-) |
| PIN 4 | (NO)/(S1) |
| LED display | LED (green): Power / LED (yellow): (S1) / LED (white): Signal (S2) |

Technical Data

| | |
|-------------------------------|-----------|
| Operating voltage | 24 V DC |
| Operating current per contact | max. 2 A |
| Total current | max. 8 A |
| Protection | IP65/IP67 |

General data

| | |
|-------------------|--|
| Temperature range | -20...+70 °C, depending on cable quality |
|-------------------|--|

Commercial data

| | |
|-----------------------|---------------|
| country of origin | DE |
| customs tariff number | 85369010 |
| EAN | 4048879054508 |
| eClass | 27143423 |
| Packaging unit | 1 |