

## EXACT8, 8XM8, 4 POLE MOULDED CABLE

3.0m PUR 16x0,34+2x0,75, UL/CSA

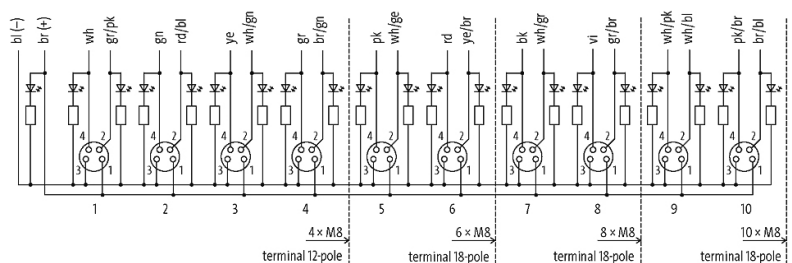
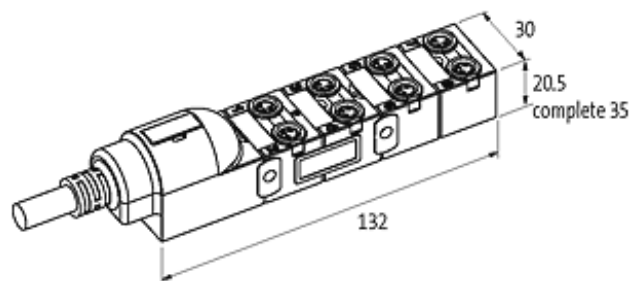
8-way, 4-pole

3.0 m

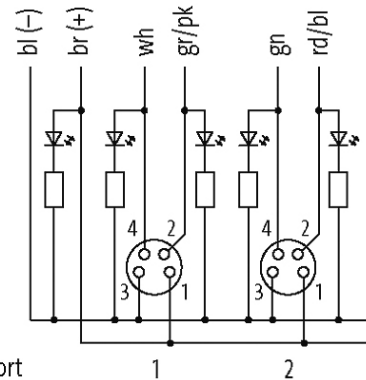
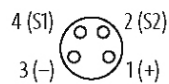
Further cable lengths on request. Plastic housings with good resistance against chemicals and oils. The resistance to aggressive media should be individually tested for your application. Further details on request.

### [Link to Product](#)

#### Illustration



M8-Females 4-pole



Product may differ from Image

### Approvals



### Contact Layout

PIN 1	(+)
PIN 2	(NC)/(S2)
PIN 3	(-)
PIN 4	(NO)/(S1)
LED display	LED (green): Power / LED (yellow): (S1) / LED (white): Signal (S2)

### Cables

Cable number	396
No./diameter of wires	16×0.34 + 2×0.75 mm <sup>2</sup>
C-track properties	5 Mio.
Jacket Color	gray
Material (jacket)	PUR (UL/CSA)
Outer Ø	10.4 mm ±5%
Bend radius (fixed)	5 × outer Ø
Bend radius (moving)	10 × outer Ø
Temperature range (fixed)	-40...+80 °C
Temperature range (mobile)	-5...+60 °C

### Technical Data

Operating voltage	24 V DC
Operating current per contact	max. 2 A
Total current	max. 8 A

Signal per port	2
Protection	IP65/IP67
Housing	Plastic, flame retardant
Locking of ports	Screw thread M8 × 1 mm

**General data**

Temperature range	-20...+80 °C, depending on cable quality
-------------------	--

**Commercial data**

country of origin	DE
customs tariff number	85444290
EAN	4048879054447
eClass	27143423
Packaging unit	1