

## EXACT8, 8XM8, 4 POLE MOULDED CABLE

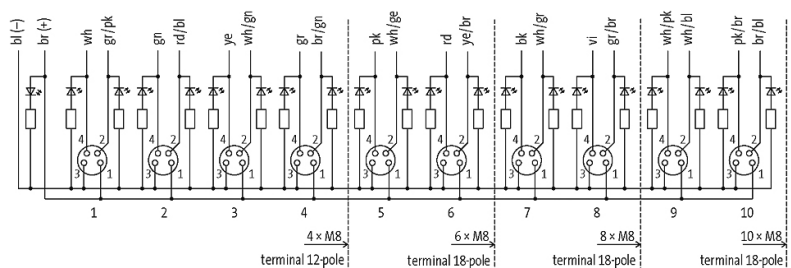
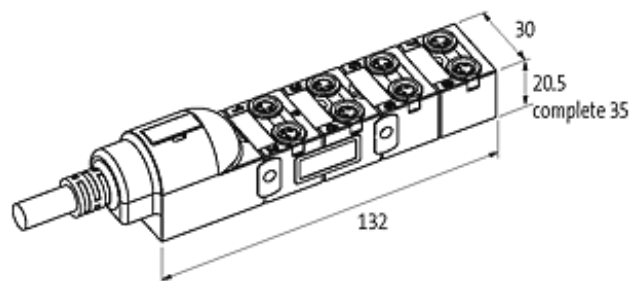
10.0m PUR 16x0,34+2x0,75 NPN-LED's

8-way, 4-pole  
for NPN signals 24 V DC

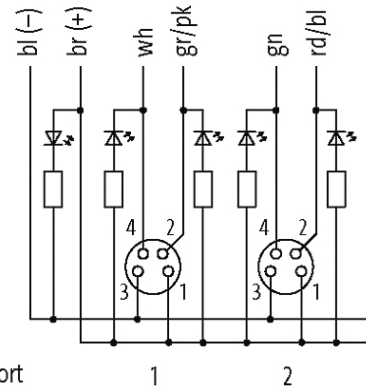
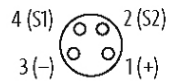
Further cable lengths on request. Plastic housings with good resistance against chemicals and oils. The resistance to aggressive media should be individually tested for your application. Further details on request.

### [Link to Product](#)

#### Illustration



M8-Females 4-pole



Product may differ from Image

### Approvals



### Contact Layout

|             |  |
|-------------|--|
| PIN 1       | (+)  |
| PIN 2       | (NC)/(S2)  |
| PIN 3       | (-)  |
| PIN 4       | (NO)/(S1)  |
| LED display | LED (green): Power / LED (yellow): (S1) / LED (white): Signal (S2) |

### Cables

|                            |                                  |
|----------------------------|----------------------------------|
| Cable number               | 396                              |
| No./diameter of wires      | 16×0.34 + 2×0.75 mm <sup>2</sup> |
| C-track properties         | 5 Mio.                           |
| Jacket Color               | gray                             |
| Material (jacket)          | PUR (UL/CSA)                     |
| Outer Ø                    | 10.4 mm ±5%                      |
| Bend radius (fixed)        | 5 × outer Ø                      |
| Bend radius (moving)       | 10 × outer Ø                     |
| Temperature range (fixed)  | -40...+80 °C                     |
| Temperature range (mobile) | -5...+60 °C                      |

### Technical Data

|                               |          |
|-------------------------------|----------|
| Operating voltage             | 24 V DC  |
| Operating current per contact | max. 2 A |
| Total current                 | max. 8 A |

|                  |                          |
|------------------|--------------------------|
| Signal per port  | 2                        |
| Protection       | IP65/IP67                |
| Housing          | Plastic, flame retardant |
| Locking of ports | Screw thread M8 × 1 mm   |

**General data**

|                   |  |
|-------------------|--|
| Temperature range | -20...+80 °C, depending on cable quality |
|-------------------|--|

**Commercial data**

|                       |               |
|-----------------------|---------------|
| country of origin     | DE            |
| customs tariff number | 85444290      |
| EAN                   | 4048879054393 |
| eClass                | 27143423      |
| Packaging unit        | 1             |