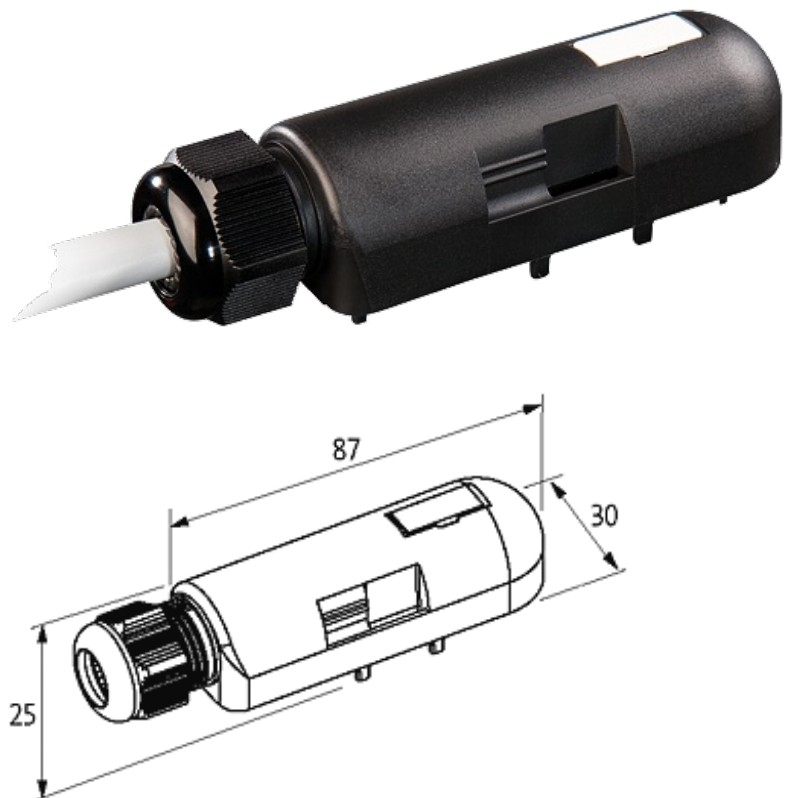


PRE-WIRED CAP FOR EXACT8, 8XM8, 4-POL

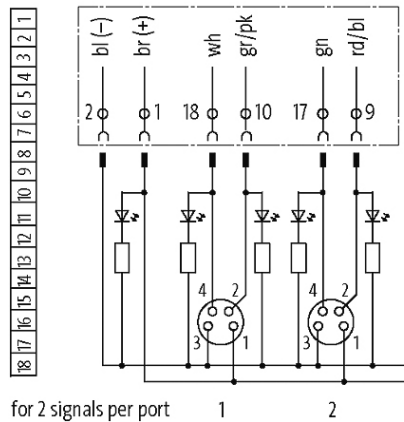
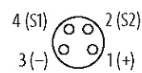
3.0m PUR/PVC 16x0,34+2x0,75

for 8-way distribution box, 4-pole
PUR/PVC
3.0 m

Further cable lengths on request. Plastic housings with good resistance against chemicals and oils. The resistance to aggressive media should be individually tested for your application. Further details on request.

[Link to Product](#)**Illustration**

M8-Females 4-pole



Product may differ from Image

Approvals



Cables

| | |
|----------------------------|----------------------------------|
| Cable number | 395 |
| No./diameter of wires | 16×0.34 + 2×0.75 mm ² |
| Wire isolation | PVC |
| C-track properties | 1.5 Mio. |
| Jacket Color | gray |
| Material (jacket) | PUR/PVC |
| Outer Ø | 9.6 mm ±5% |
| Bend radius (fixed) | 10 × outer Ø |
| Bend radius (moving) | 12 × outer Ø |
| Temperature range (fixed) | -30...+70 °C |
| Temperature range (mobile) | -5...+60 °C |

Technical Data

| | |
|---------------|--------------------------|
| Housing | Plastic, flame retardant |
| Total current | max. 8 A |

General data

| | |
|-------------------|--|
| Temperature range | -20...+80 °C, depending on cable quality |
|-------------------|--|

Commercial data

| | |
|-----------------------|---------------|
| country of origin | CZ |
| customs tariff number | 85444290 |
| EAN | 4048879298452 |

| | |
|----------------|----------|
| eClass | 27143423 |
| Packaging unit | 1 |