

**EXACT12, 8XM12, 4 POLE**

Conn.M12 12-pole

8-way

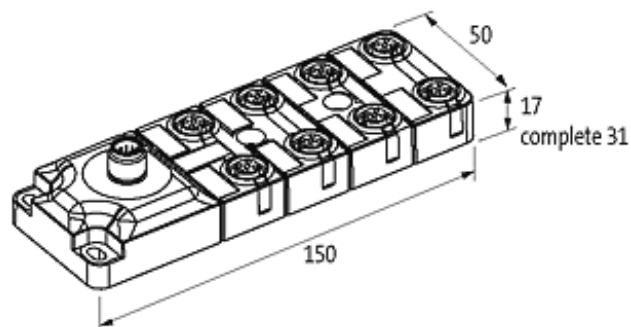
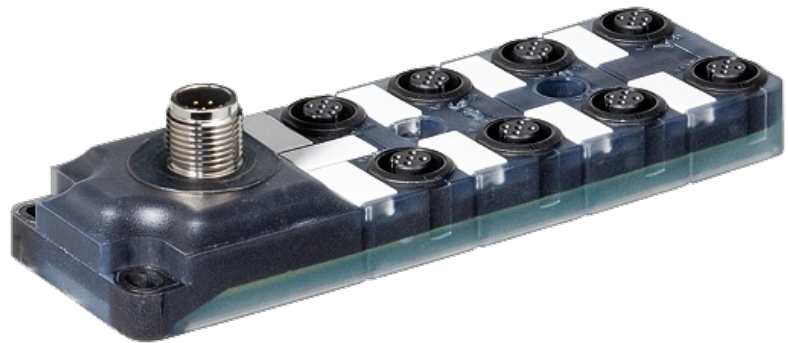
4-pole (port 3..8)

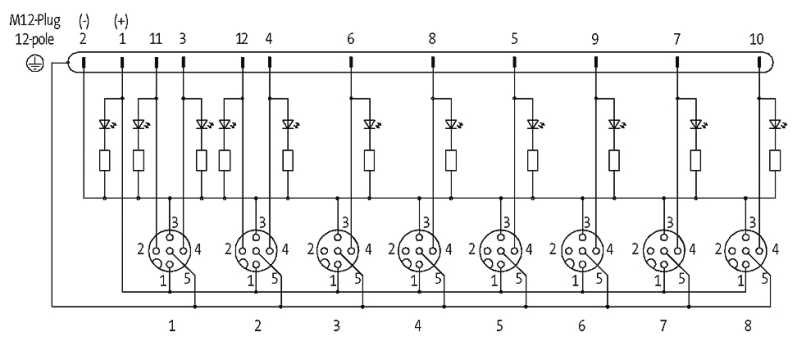
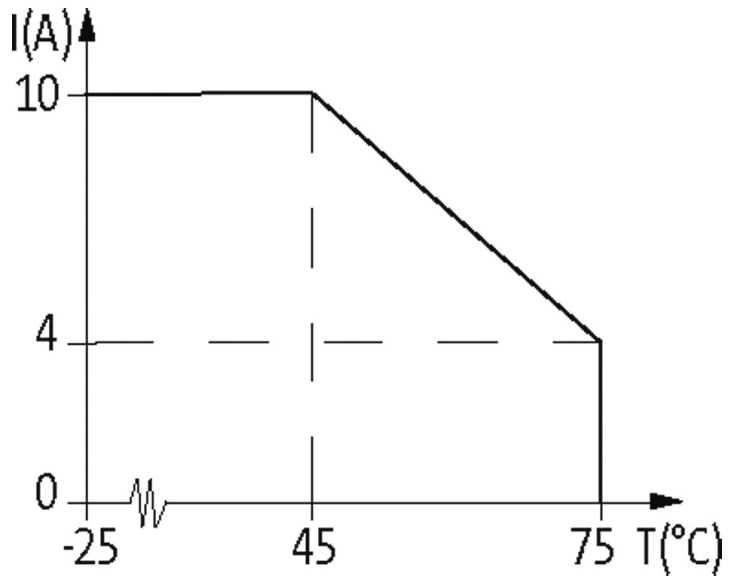
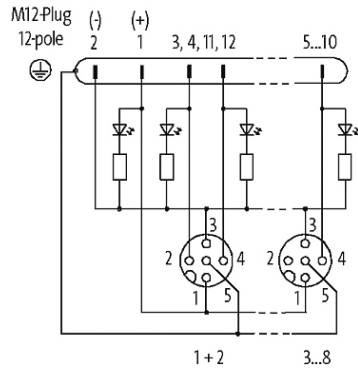
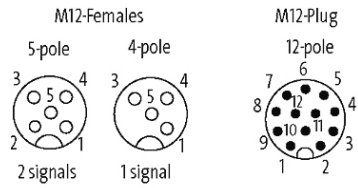
5-pole (port 1+2)

M12 plug connection, 12-pole

with LED for digital PNP-signals 24 V DC

Plastic housings with good resistance against chemicals and oils. The resistance to aggressive media should be individually tested for your application. Further details on request.

**[Link to Product](#)****Illustration**



Product may differ from Image

**Approvals**



### Contact Layout

PIN 1	(+)
PIN 2	(NC)/(S2)
PIN 3	(-)
PIN 4	(NO)/(S1)
PIN 5	(Earth)
LED display	LED (green): Power / LED (yellow): (S1) / LED (white): Signal (S2)

### Technical Data

Operating voltage	24 V DC
Operating current per contact	max. 1.5 A
Total current	max. 1.5 A
Protection	IP65/IP67
Housing	Plastic, flame retardant

### General data

Temperature range	-20...+70 °C
-------------------	--------------

### Commercial data

country of origin	DE
customs tariff number	85369010
EAN	4048879313155
eClass	27143423
Packaging unit	1