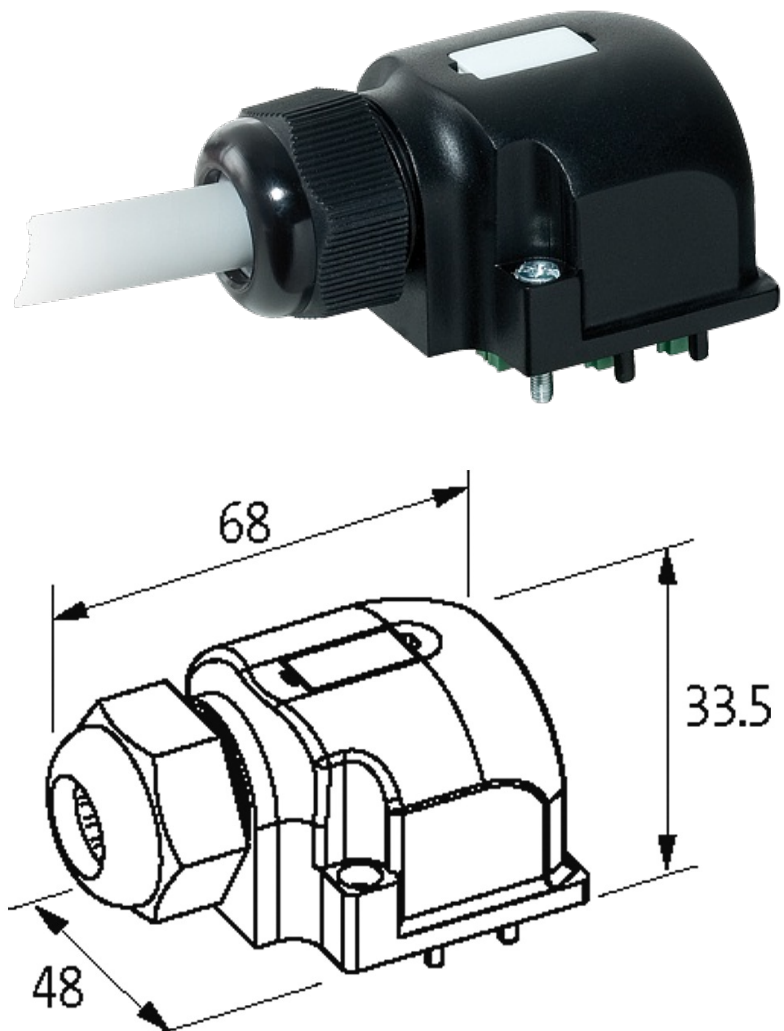


CAP FOR D-BOX M12 8-WAY 5-POLE

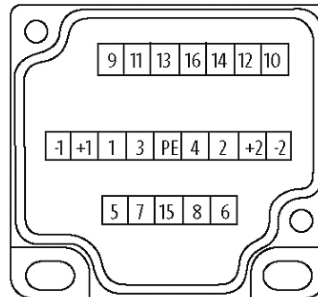
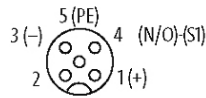
No pot.-sep. 10m PUR UL/CSA, 16x0,5+3x1,0

for 8-way distribution boxes, 5-pole
10.0 m

Further cable lengths on request. Plastic housings with good resistance against chemicals and oils. The resistance to aggressive media should be individually tested for your application. Further details on request.

[Link to Product](#)**Illustration**

M12-Females 5-pole



for 2 signals per port

Product may differ from Image

Cables

| | |
|---------------------------------|---|
| Cable number | 452 |
| No./diameter of wires | 16×0.5 + 3×1.0 mm ² |
| Wire isolation | T PE (grpk, wh, rdbl, gn, whgn, ye, brgn, gr, whye, pk, yebr, rd, whgr, bk, grbr, vi, br, bl, gnye) |
| C-track properties | 5 Mio. |
| Jacket Color | gray |
| Material (jacket) | PUR (UL/CSA) |
| Outer Ø | 11.5 mm ±5% |
| Bend radius (moving) | 10 × outer Ø |
| Temperature range (fixed) | -40...+80 °C |
| Temperature range (mobile) | -5...+80 °C |
| Cable identification | 452 |
| Cable weight [g/m] | 231,0 |
| Material (wire) | Cu wire, bare |
| Resistor (core) | max. 39 Ω/km (0.5 mm ²); max. 20 Ω/km (1.0 mm ²); (20 °C) |
| Single wire Ø (core) | 0.1 mm |
| Diameter (core) | 16×0.5 + 3×1.0 mm ² |
| AWG | similar to AWG 20 (0.5 mm ²); similar to AWG 17 (1.0 mm ²) |
| Material (wire isolation) | T PE-E |
| Shore hardness (wire isolation) | 55 ±3 D |
| Wire-Ø incl. isolation | 1.6 mm ±5% (0.5 mm ²); 2.1 mm ±5% (1.0 mm ²) |
| Material (jacket) | PUR |
| Outer-Ø (jacket) | 11.6 mm ±5% |
| Color (jacket) | gray |
| chemical resistance | good resistance to oil, gasoline and chemicals |
| Nominal voltage | 300/300 V AC |
| Test voltage | 2 000 V AC |

The information in this brochure has been compiled with the utmost care.

Liability for the correctness completeness and topicality of the information is restricted to gross negligence. Version: 03/19

Murrelektronik GmbH | Falkenstraße 3 | 71570 Oppenweiler | Fon +49 (71 91) 47-0 | Fax +49 (71 91) 47-491000 | shop@murrelektronik.com | shop.murrelektronik.com

| | |
|---------------------------------|---------------------------|
| Temperature range (fixed) | -40...+80 °C |
| Temperature range (mobile) | -5...+80 °C |
| Bend radius (moving) | 10 × outer Ø |
| No. of bending cycles (C-track) | max. 5 Mio. |
| Travel speed (C-track) | max. 2 m/s |
| Torsion stress | ±180° /m |
| Approval (cable) | UL (AWM-Style 20233), CSA |

Technical Data

| | |
|---------------|--------------------------|
| Housing | Plastic, flame retardant |
| Total current | max. 8 A |

General data

| | |
|-------------------|--|
| Temperature range | -20...+80 °C, depending on cable quality |
|-------------------|--|

Commercial data

| | |
|-----------------------|---------------|
| country of origin | CZ |
| customs tariff number | 85444290 |
| EAN | 4048879053723 |
| eClass | 27143423 |
| Packaging unit | 1 |