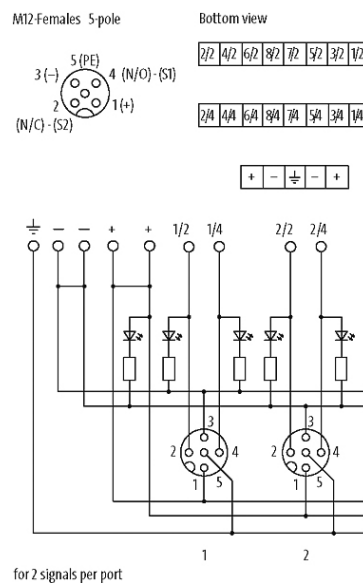


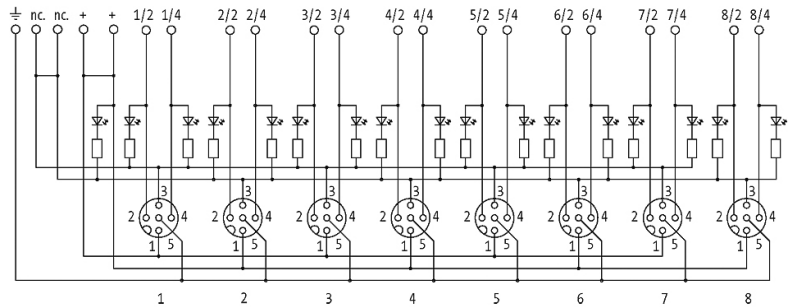
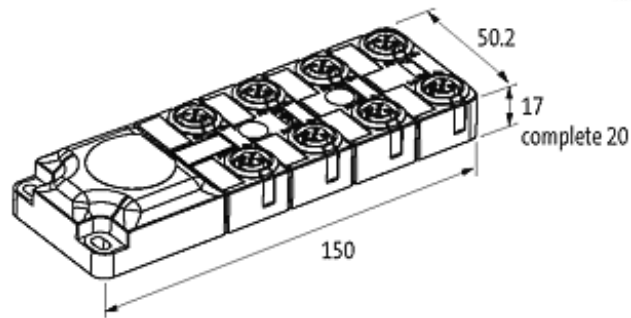
EXACT12, 8XM12, 5 POL.

Backside spring terminals

5-pole
 rear connection
 Spring clamp terminals
 with LED for digital PNP-signals 24 V DC

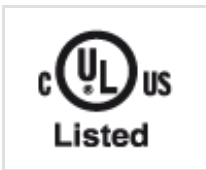
Plastic housings with good resistance against chemicals and oils. The resistance to aggressive media should be individually tested for your application. Further details on request. flat gasket included

[Link to Product](#)**Illustration**



Product may differ from Image

Approvals



Contact Layout

PIN 1	(+)
PIN 2	(NC)/(S2)
PIN 3	(-)
PIN 4	(NO)/(S1)
PIN 5	(Earth)
LED display	LED (green): Power / LED (yellow): (S1) / LED (white): Signal (S2)

Technical Data

Operating voltage	24 V DC
Operating current per contact	max. 4 A
Total current	max. 2 × 8 A
Protection	IP65/IP67
Housing	Plastic, flame retardant

General data

Temperature range	-20...+70 °C
-------------------	--------------

Commercial data

country of origin	DE
customs tariff number	85369010
EAN	4048879311823

eClass	27143423
Packaging unit	1
