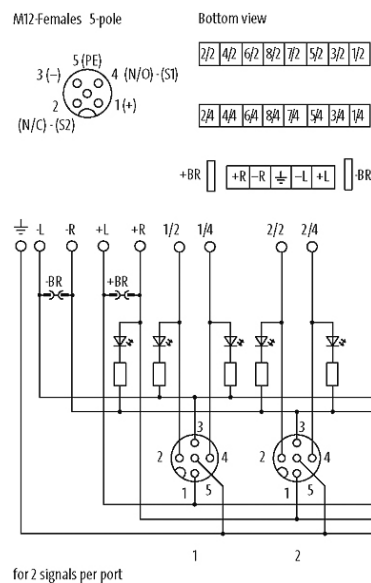


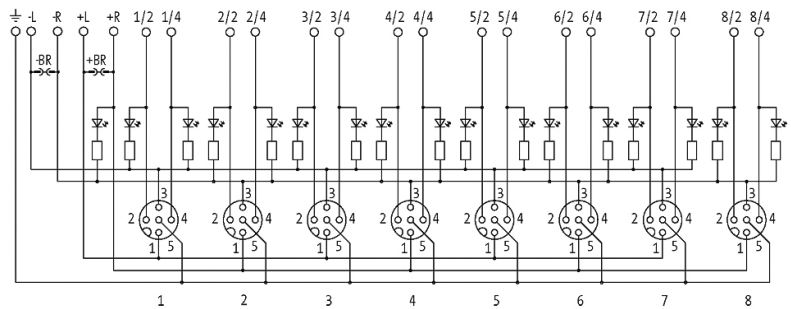
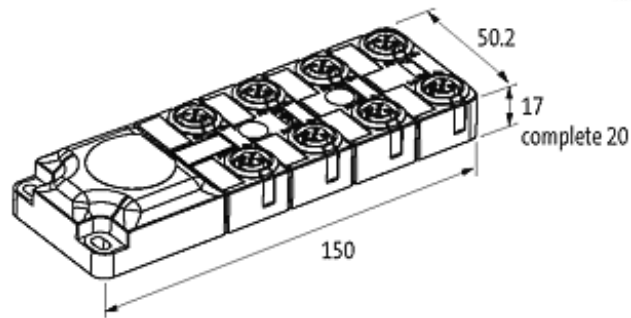
**EXACT12, 8XM12, 5 POL.**

Pot. sep., backside plug. spring terminals

5-pole, potentially separated  
pluggable rear connection  
Spring clamp plug-in terminals  
with LED for digital PNP-signals 24 V DC

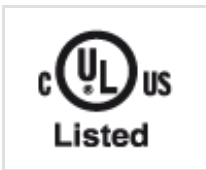
Plastic housings with good resistance against chemicals and oils. The resistance to aggressive media should be individually tested for your application. Further details on request. flat gasket included

[Link to Product](#)**Illustration**



Product may differ from Image

### Approvals



### Contact Layout

PIN 1	(+)
PIN 2	(NC)/(S2)
PIN 3	(-)
PIN 4	(NO)/(S1)
PIN 5	(Earth)
LED display	LED (green): Power / LED (yellow): (S1) / LED (white): Signal (S2)

### Technical Data

Operating voltage	24 V DC
Operating current per contact	max. 4 A
Total current	max. 2 × 8 A
Protection	IP65/IP67
Housing	Plastic, flame retardant

### General data

Temperature range	-20...+70 °C
-------------------	--------------

### Commercial data

country of origin	DE
customs tariff number	85369010
EAN	4048879311212

---

eClass	27143423
Packaging unit	1

---