

EXACT12 SAFETY, GRUNDMODUL P1-4: M12, 5 POLE LED

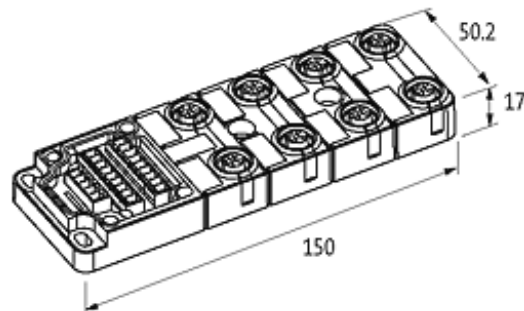
P5-8: M12 3-pol. 1:1, no LED

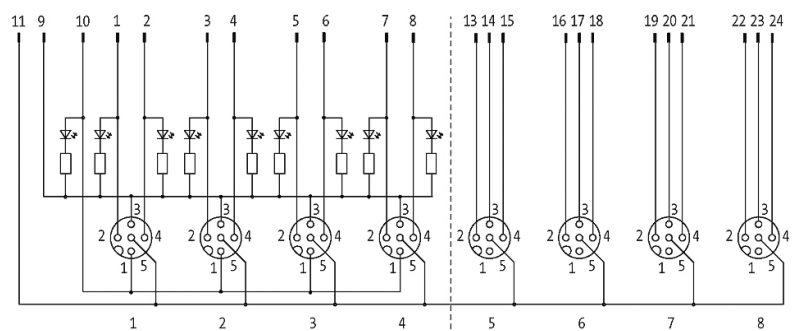
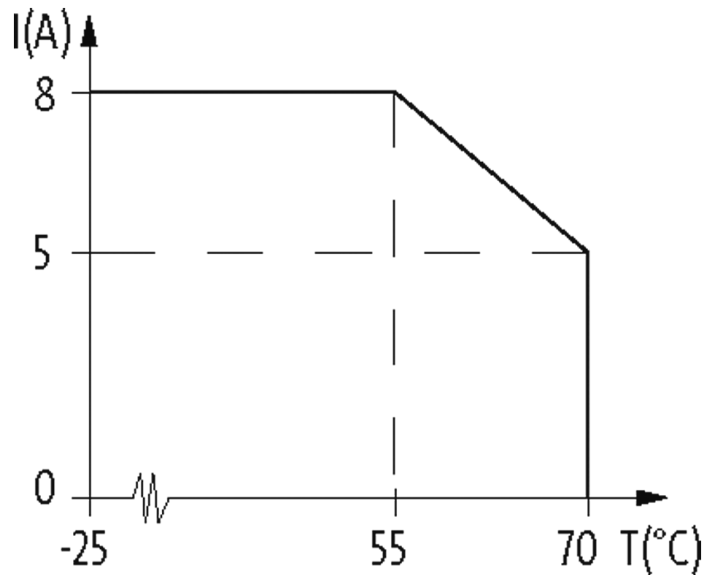
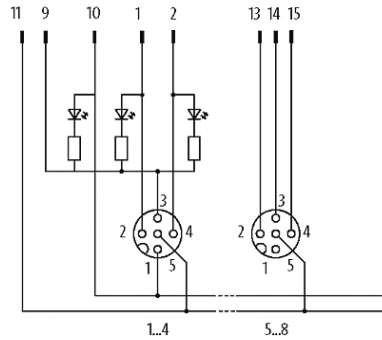
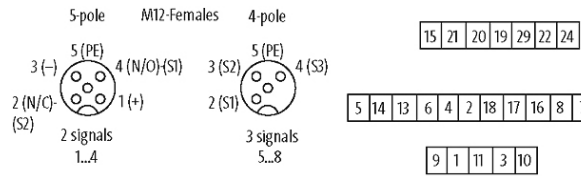
5-pole (port.1...4)

4-pole (port 5...8)

with LED for digital PNP-signals 24 V DC (port 1...4)

Plastic housings with good resistance against chemicals and oils. The resistance to aggressive media should be individually tested for your application. Further details on request.

[Link to Product](#)**Illustration**



Product may differ from Image

Approvals



EN ISO 13849-2

Contact Layout

PIN 1	(+) port 1...4
PIN 2	(NC)/(S2) port 1...4; (S1) port 5...8
PIN 3	(-) port 1...4; (S2) port 5...8
PIN 4	(NO)/(S1) port 1...4; (S3) port 5...8
PIN 5	(Earth)
LED display	LED (green): Power / LED (yellow): (S1) / LED (white): Signal (S2) port 1...4

Technical Data

Operating voltage	24 V DC
Operating current per contact	max. 4 A
Total current	max. 8 A
Protection	IP65/IP67
Housing	Plastic, flame retardant
Locking of ports	Screw thread M12 × 1 mm

General data

Temperature range	-20...+60 °C
-------------------	--------------

Commercial data

country of origin	DE
customs tariff number	85369010
EAN	4048879315616
eClass	27143423
Packaging unit	1