

SAFETY WIRING SYSTEM

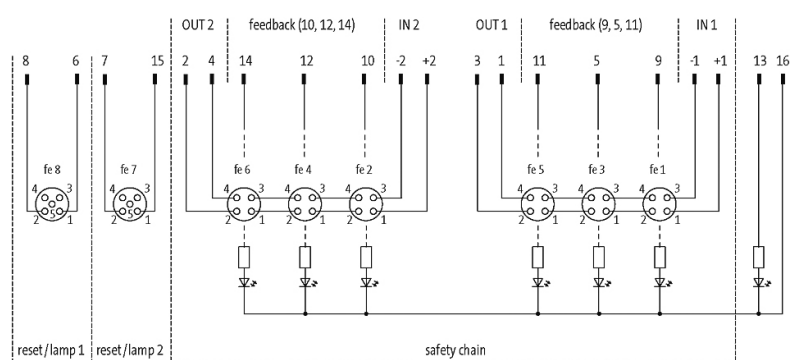
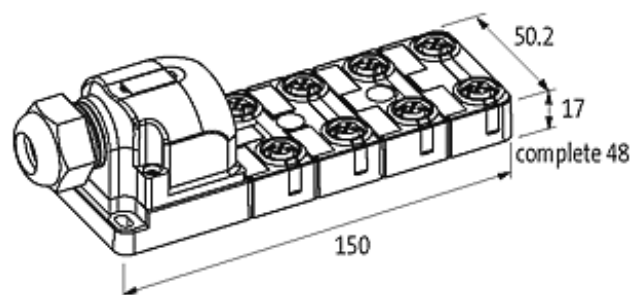
Distributor Box

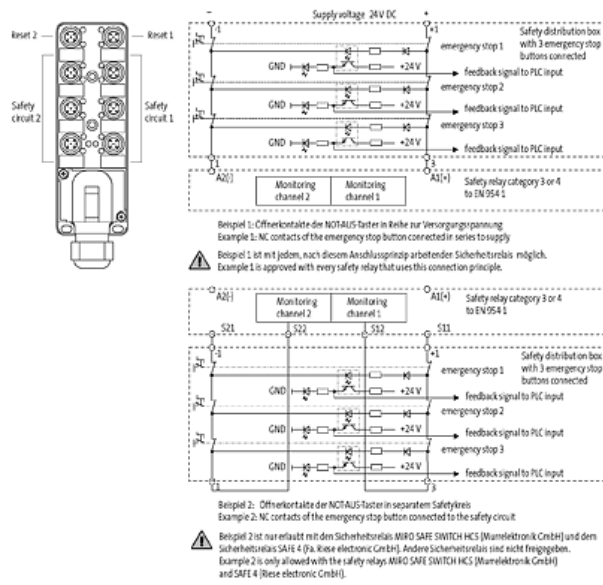
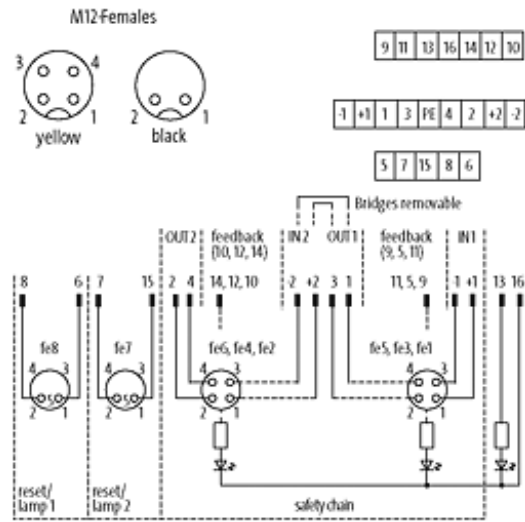
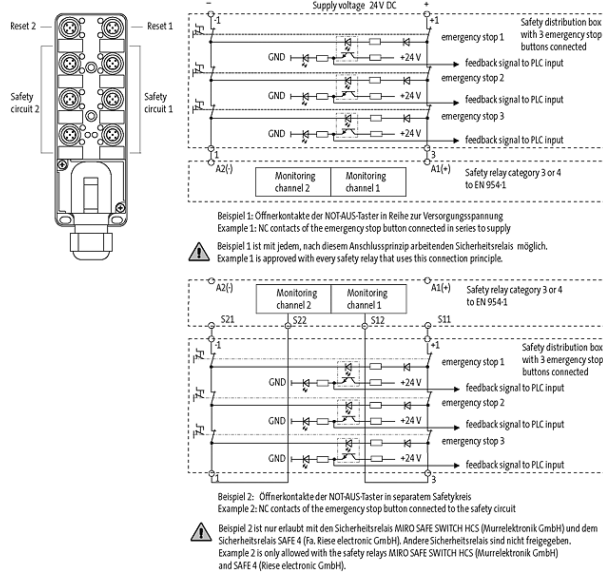
8-way distribution box
with electrical feedback
with LED
Replaces identical product (Art.No. 27292)

Plastic housings with good resistance against chemicals and oils. The resistance to aggressive media should be individually tested for your application. Further details on request.

[Link to Product](#)

Illustration





Product may differ from Image

Contact Layout

The information in this brochure has been compiled with the utmost care.

Liability for the correctness completeness and topicality of the information is restricted to gross negligence. Version: 03/19

PIN 1	MSDS: 11 (yellow), 13 (black); EMERGENCY-STOP: 11 (black)
PIN 2	MSDS: 12 (yellow), 14 (black); EMERGENCY-STOP: 12 (black)
PIN 3	MSDS: 21 (yellow); EMERGENCY-STOP: 21 (black)
PIN 4	MSDS: 22 (yellow); EMERGENCY-STOP: 22 (black)
LED display	LED (green): Power / LED (yellow): Emergency Stop

Technical Data

Operating voltage	24 V DC (EN 61131-2)
Operating current (chain)	max. per 1 A
Operating current (black females)	max. per 1 A
Material group	EN 60664-1 over voltage, category III
Isolation resistance	min. 1 000 MΩ
Locking of ports	Screw thread M12 × 1 mm

General data

Protection	IP54
Connection	Screw plug-in terminal
Temperature range	-20...+80 °C

Commercial data

country of origin	DE
customs tariff number	85369010
EAN	4048879353373
eClass	27143423
Packaging unit	1