

## EXACT12 SAFETY, BACKSIDE SOLDERED SPRING TERM.

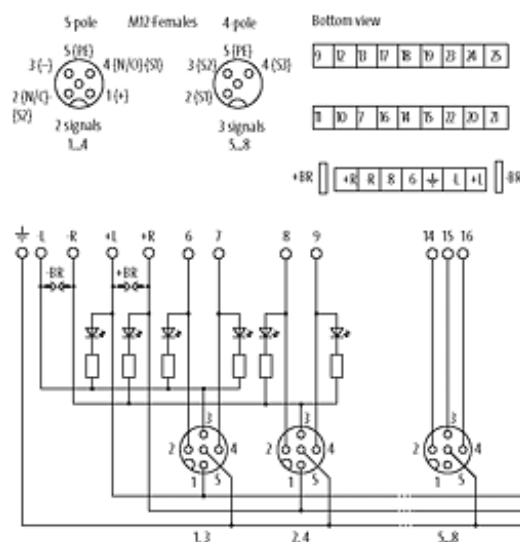
P1-4 M12 5-pol. LED, P5-8 M12 4/3-pol. 1:1 no LED

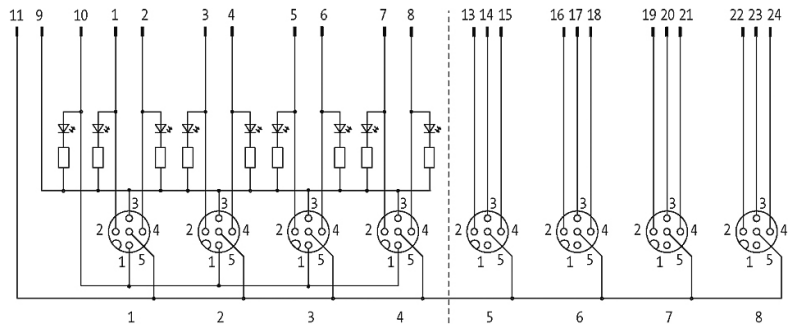
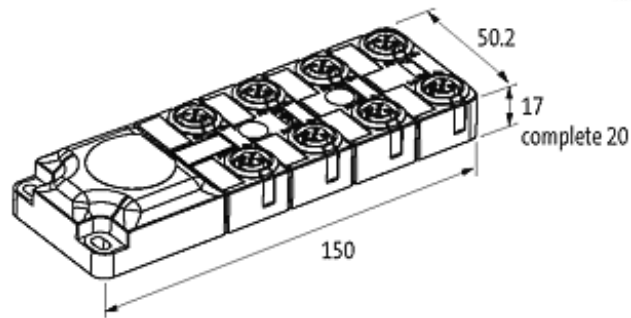
5-pole, 4/3-pole, potentially separated rear connection  
 rear connection  
 Spring clamp terminals  
 with LED for digital PNP-signals 24 V DC (port 1...4)

Plastic housings with good resistance against chemicals and oils. The resistance to aggressive media should be individually tested for your application. Further details on request. flat gasket included

### [Link to Product](#)

#### Illustration





Product may differ from Image

### Approvals



### Contact Layout

PIN 1	(+) port 1...4
PIN 2	(NC)/(S2) port 1...4; (S1) port 5...8
PIN 3	(-) port 1...4; (S2) port 5...8
PIN 4	(NO)/(S1) port 1...4; (S3) port 5...8
PIN 5	(Earth)
LED display	LED (green): Power / LED (yellow): (S1) / LED (white): Signal (S2) port 1...4

### Technical Data

Operating voltage	24 V DC
Operating current per contact	max. 4 A
Total current	max. 8 A
Protection	IP65/IP67
Housing	Plastic, flame retardant
Locking of ports	Screw thread M12 × 1 mm

### General data

Temperature range	-20...+60 °C
-------------------	--------------

### Commercial data

country of origin	DE
-------------------	----

---

customs tariff number	85369010
EAN	4048879315623
eClass	27143423
Packaging unit	1

---