

MCS POWER SUPPLY 1-PHASE,

IN: 90-265VAC OUT: 24-28V/20ADC

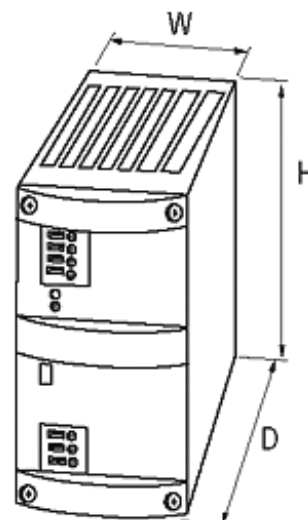
INPUT: 90...265 V AC

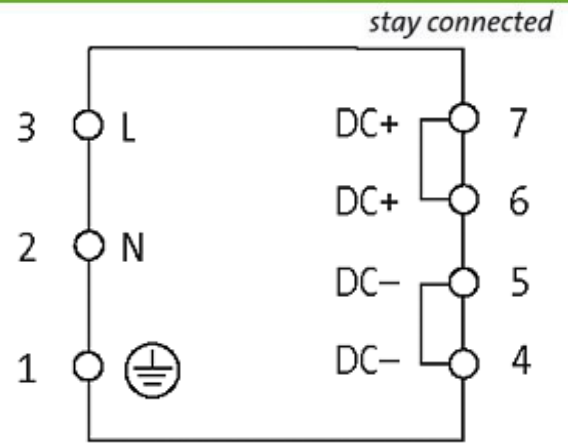
OUTPUT: 24...28 V DC

Current: 20 A

[Link to Product](#)

Illustration





Product may differ from Image

Approvals



Input

Input voltage	90...265 V AC; 110...300 V DC
Input current	5.5 A (100 V AC); 2.4 A (230 V AC)
Inrush current after 1 ms	max. 30 A
Primary fusing external	max. 16 A
Frequency	50...60 Hz

General data

Standards	EN 60950-1, EN 61204-3, EN 55022 B, EN 61000-3-2
Mounting method	Screw fixing M4, 4 pcs. in rectangle 60 × 197 mm
Efficiency	87% (230 V AC)
Relative humidity	5...95%, no condensation
Dimensions H × W × D	209×84×233 mm
Temperature range	0...+60 °C (storage temperature -25...+85 °C)

Output

Output voltage	24 V DC (SELV), ±1%; 24...28 V adjustable
Output current	20 A (+60 °C); 24 A (+40 °C, 110...265 V AC)
Mains failure bridging time	min. 18 ms (230 V AC)
Ripple	max. 20 mVrms
Spikes	max. 250 mV p-p
Unit protection	Short-circuit and overload protected
LED display	LED (green) for output voltage
Selectable switch-off mode	front sided plug link (automatic re-start or definite shut-off)
Parallel usage/serial usage	max. 5 units/max. 2 units

Commercial data

country of origin	CZ
-------------------	----

customs tariff number	85044090
EAN	4048879080651
eClass	27049002
Packaging unit	1