

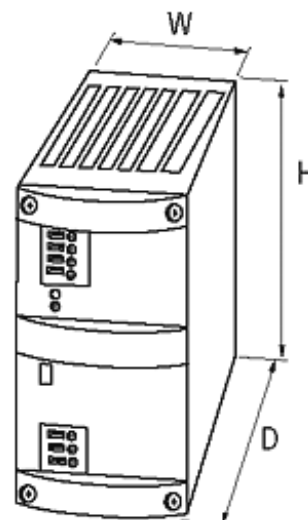
MCS POWER SUPPLY 1-PHASE,

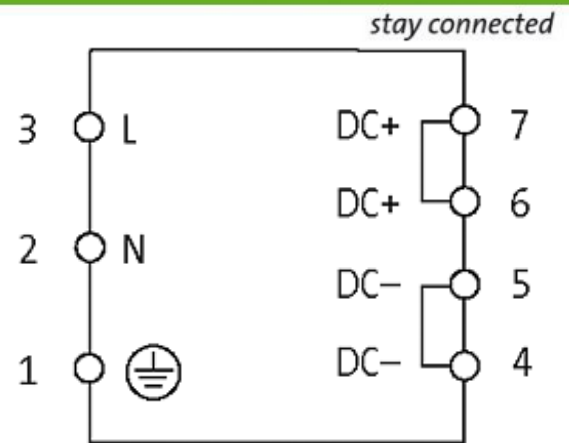
IN: 95-132VAC OUT: 24-28V/10ADC

INPUT: 95...132 V AC

OUTPUT: 24...28 V DC

Current: 10 A

[Link to Product](#)**Illustration**



Product may differ from Image

Approvals



Input

Input voltage	95...132 V AC
Input current	4.2 A (115 V AC)
Inrush current after 1 ms	max. 25 A
Primary fusing external	max. 10 A
Frequency	50...60 Hz

General data

Standards	EN 60950-1, EN 61204-3, EN 55022 B
Relative humidity	5...95%, no condensation
Efficiency	90%
Mounting method	DIN-rail mountable TH35 (EN 60715)
Dimensions H x W x D	127x68x160 mm
Temperature range	0...+60 °C (storage temperature -25...+85 °C)

Output

Output voltage	24 V DC (SELV), $\pm 1\%$; 24...28 V adjustable
Output current	10 A (+60 °C); 12 A (+40 °C)
Mains failure bridging time	min. 15 ms (115 V AC)
Ripple	max. 20 mVrms
Spikes	max. 200 mV p-p
Unit protection	Short-circuit and overload protected
LED display	LED (green) for output voltage
Selectable switch-off mode	front sided plug link (automatic re-start or definite shut-off)
Parallel usage/serial usage	yes/yes

Commercial data

country of origin	CZ
-------------------	----

customs tariff number	85044090
EAN	4048879080514
eClass	27049002
Packaging unit	1