

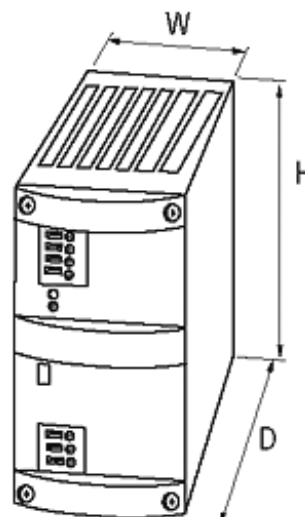
MCS POWER SUPPLY 3-PHASE,

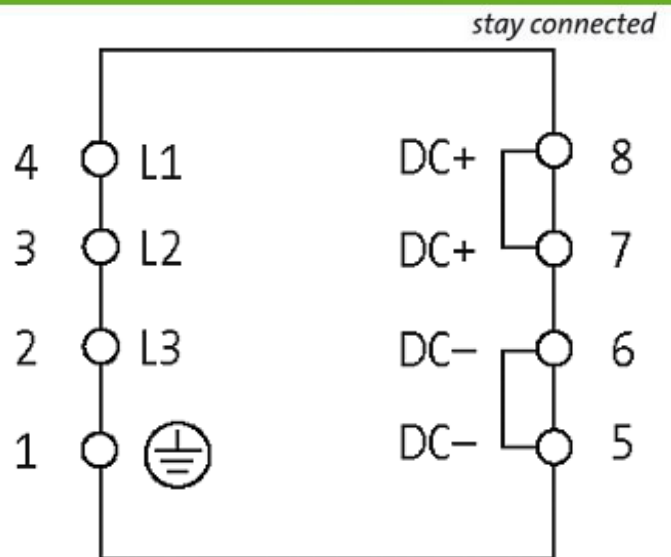
IN: 340-460VAC OUT: 24-28V/20ADC

INPUT: 3 × 340...460 V AC

OUTPUT: 24...28 V DC

Current: 20 A

[Link to Product](#)**Illustration**



Product may differ from Image

Input

Input voltage	3 × 340...460 V AC
Input current	3 × 1.4 A
Inrush current after 1 ms	max. 25 A
Primary fusing external	max. 3 × 6 A
Frequency	50...60 Hz

General data

Standards	EN 60950-1, EN 61204-3, EN 55011 A
Mounting method	DIN-rail mountable TH35 (EN 60715)
Efficiency	90%
Relative humidity	30...90%, no condensation
Dimensions H × W × D	170×84×201 mm
Temperature range	0...+60 °C (storage temperature -25...+85 °C)

Output

Output voltage	24 V DC (SELV), ±1%; 24...28 V adjustable
Output current	20 A (+60 °C); 20...24 A (+40 °C)
Mains failure bridging time	min. 10 ms (400 V AC)
Ripple	max. 20 mVrms
Unit protection	Short-circuit and overload protected
Spikes	max. 100 mV p-p
LED display	LED (green) for output voltage
Selectable switch-off mode	front sided plug link (automatic re-start or definite shut-off)
Parallel usage/serial usage	yes/yes

Commercial data

country of origin	CZ
customs tariff number	85044090
EAN	4048879080477

eClass	27049002
Packaging unit	1