

## ECO-POWER POWER SUPPLY 1-PHASE,

IN: 90-132 VAC/180-264 VAC OUT: 24V/10ADC

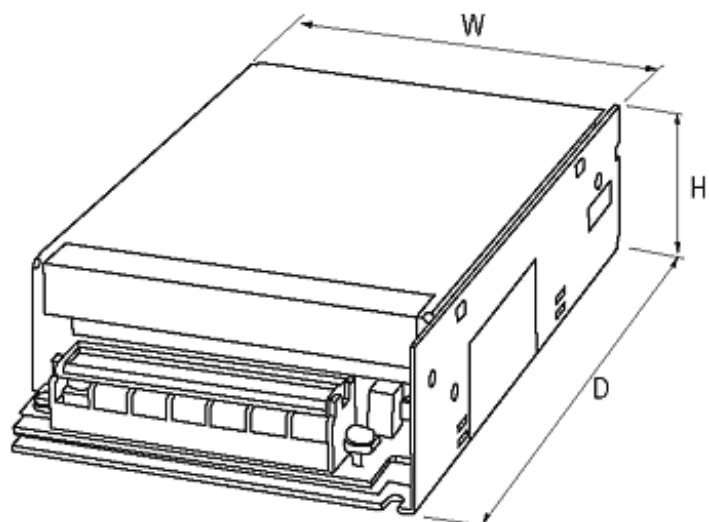
INPUT: 100...120 V AC/200...240 V AC

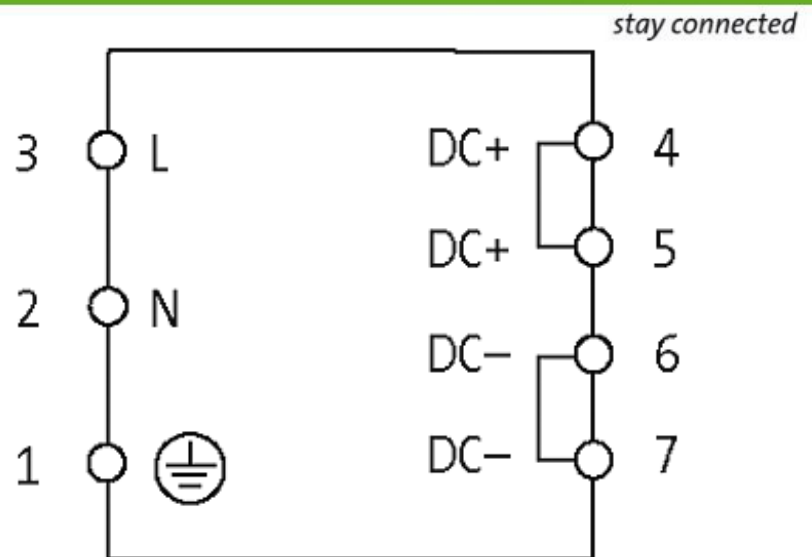
OUTPUT: 24 V DC  $\pm 1\%$

Current: 10 A

### [Link to Product](#)

#### Illustration





Product may differ from Image

### Input

Input voltage	100...120 V AC/200...240 V AC
Input current	4.6 A (115 V AC); 2.8 A (230 V AC)
Inrush current after 1 ms	max. 20 A
Primary fusing external	max. 16 A
Frequency	50...60 Hz

### General data

Standards	EN 60950-1, EN 61204-3, EN 55011 B
Mounting method	screw fixing, M4
Efficiency	84% (115 V AC); 85% (230 V AC)
Relative humidity	20...90%, no condensation
Dimensions H x W x D	50x115x230 mm
Temperature range	0...+40 °C, ...+50 °C derating (storage temperature -20...+85 °C)

### Output

Output voltage	24 V DC $\pm$ 1%
Output current	10 A (+40 °C); 8 A (+50 °C)
Mains failure bridging time	min. 15 ms (115 V AC); min. 15 ms (230 V AC)
Ripple	max. 30 mVrms
Unit protection	Short-circuit and overload protected
Spikes	max. 200 mV p-p
LED display	LED (green) for output voltage
Parallel usage/serial usage	no/yes (max. 2 units)

### Commercial data

country of origin	CN
customs tariff number	85044090
EAN	4048879080408
eClass	27049002

Packaging unit

1