

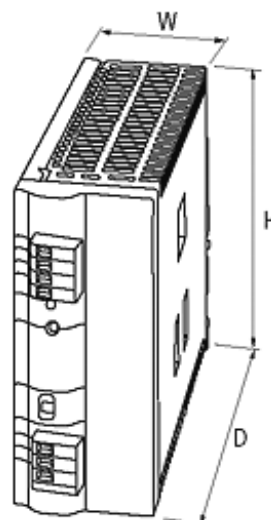
ECO-RAIL POWER SUPPLY 1-PHASE,

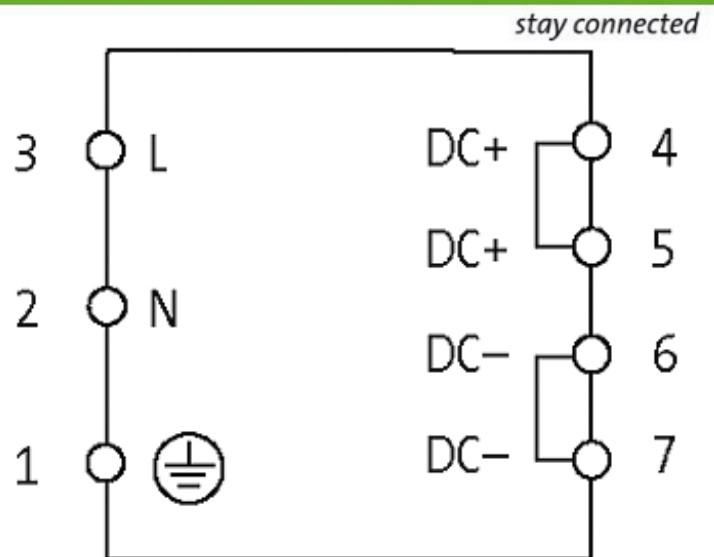
IN: 90-132 VAC/173-264 VAC OUT: 24V/20ADC

INPUT: 90...132 V AC/173...264 V AC

OUTPUT: 24 V DC

Current: 20 A

[Link to Product](#)**Illustration**



Product may differ from Image

Approvals



Input

| | |
|---------------------------|----------------------------------|
| Input voltage | 90...132 V AC/173...264 V AC |
| Input current | 9 A (100 V AC); 4.5 A (200 V AC) |
| Inrush current after 1 ms | max. 30 A |
| Primary fusing external | max. 20 A |
| Frequency | 50...60 Hz |

General data

| | |
|----------------------|---|
| Standards | EN 60950-1, EN 61204-3, EN 55022 B |
| Mounting method | DIN-rail mountable TH35 (EN 60715) |
| Efficiency | 87% (115 V AC); 89% (230 V AC) |
| Relative humidity | 20...90%, no condensation |
| Dimensions H x W x D | 125x105x127 mm |
| Temperature range | 0...+40 °C, ...+50 °C derating (storage temperature -20...+85 °C) |

Output

| | |
|-----------------------------|--|
| Output voltage | 24 V DC $\pm 1\%$ |
| Output current | 20 A (+40 °C); 16 A (+55 °C) |
| Mains failure bridging time | min. 15 ms (115 V AC); min. 30 ms (230 V AC) |
| Ripple | max. 50 mVrms |
| Unit protection | Short-circuit and overload protected |
| Spikes | max. 100 mV p-p |
| LED display | LED (green) for output voltage |
| Parallel usage/serial usage | no/yes (max. 2 units) |

Commercial data

| | |
|-----------------------|---------------|
| country of origin | CN |
| customs tariff number | 85044090 |
| EAN | 4048879401906 |
| eClass | 27049002 |
| Packaging unit | 1 |