

**MCS-A ASI POWER SUPPLY 1-PHASE,**

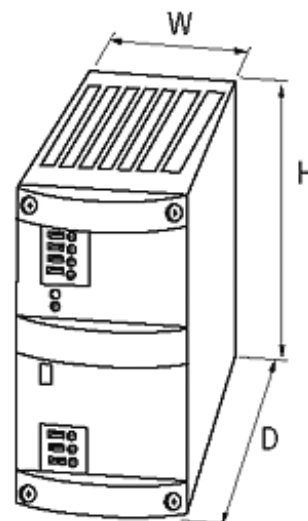
IN: 95-265VAC OUT: 30,5V/4ADC

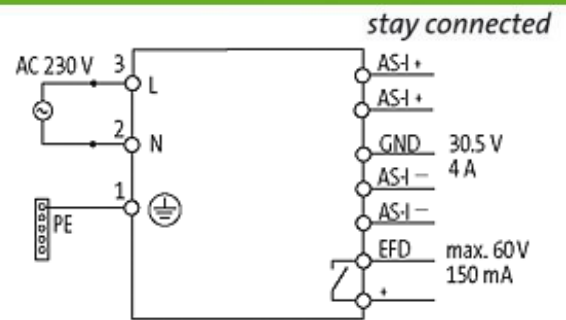
INPUT: 95...265 V AC

Current: 4 A

with EFD (earth fault detection)

Single-phase, primary switched Protection IP20

[Link to Product](#)**Illustration**



Product may differ from Image

## Approvals



## Input

Input voltage	95...265 V AC
Input current	2.1 A
Inrush current after 1 ms	max. 35 A (230 V AC)
Primary fusing external	max. 10 A (T)
Frequency	50...60 Hz

## General data

Standards	EN 60950-1, EN 61204-3, EN 55022 B
Efficiency	83% (110 V AC); 85% (240 V AC)
Dimensions H x W x D	115x62x163 mm
Mounting method	DIN-rail mountable TH35 (EN 60715)
AS-Interface	Unit complies to AS-Interface specification for power supplies (PELV)
Temperature range	-10...+40 °C, ...+55 °C derating (storage temperature -25...+85 °C)

## Output

Output voltage	30.5 V DC (SELV), ±2%
Output current	max. 4.0 A (+40 °C); 3.4 A (+55 °C)
Output rating	122 W
Mains failure bridging time	min. 14 ms (110 V AC); min. 80 ms (230 V AC)
Unit protection	Short-circuit and overload protected
Ripple	max. 20 mVrms
LED display	LED (green) for output voltage
Output filter	Filter acc. to AS-Interface specification

## Commercial data

country of origin	CZ
customs tariff number	85044090
EAN	4048879079891
eClass	27049002

Packaging unit

1