

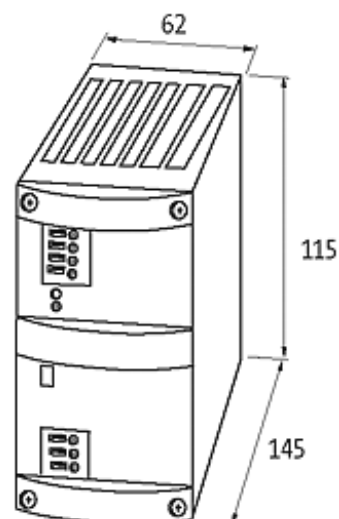
**MB CAP BUFFER MODULE**

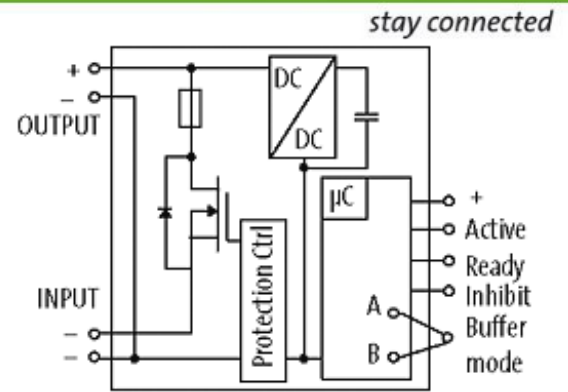
IN:23-30 VDC OUT :22-28VDC/20A for 200ms

INPUT : 24 V DC (SELV/PELV)

OUTPUT : max. 20 A

0.2 s (20 A); 4 s (1 A)

[Link to Product](#)**Illustration**



Product may differ from Image

### Approvals



### Input

Input voltage	23...30 V DC (SELV/PELV)
Input current	85 mA
Protection of voltage spikes	max. 35 V DC
Loading time	20...45 s
Loading current	max. 500 mA

### General data

Standards	EN 61000-6-2, EN 61000-6-3, EN 55022 B, EN 60950-1, SELV
Mounting method	DIN-rail mountable TH35 (EN 60715)
Efficiency	95%
Temperature range	0...+70 °C (storage temperature -25...+85 °C)

### Output

Output voltage	24 V DC (22...28 V DC)
Output current	max. 20 A (+70 °C)
Current limit	26 A
Buffer time	0.2 s (20 A); 4 s (1 A)
Ripple	max. 200 mV p-p
Parallel circuit	possible

### Commercial data

country of origin	CZ
customs tariff number	85322200
EAN	4048879000123
eClass	27049190
Packaging unit	1