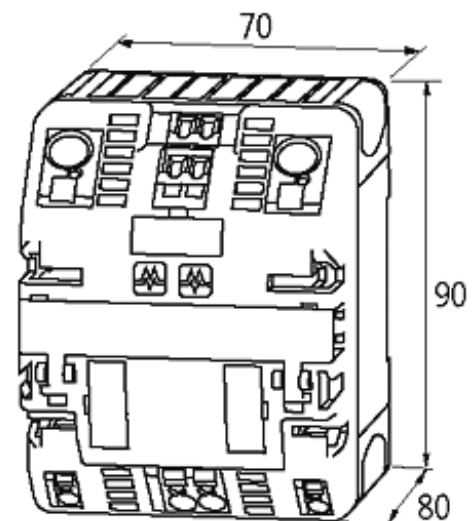


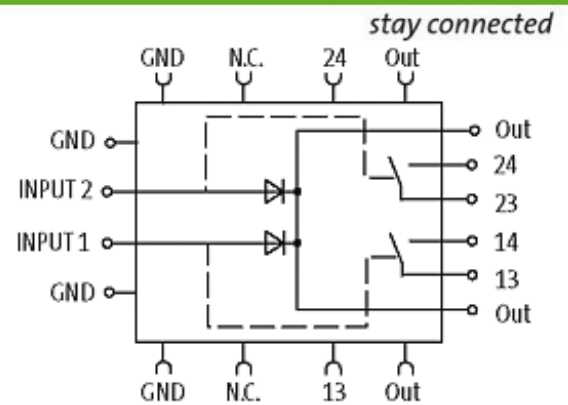
MB DIODE

IN: 24VDC/2x20ADC OUT : 24V/20-40ADC

INPUT : 24 V DC (SELV/PELV)

OUTPUT : max. 2 × 20 A / 1 × 40 A

[Link to Product](#)**Illustration**



Product may differ from Image

Approvals



Input

| | |
|----------------------------|--|
| Input voltage | 24 V DC (21...30 V DC) |
| Input current | 2 × 20 A/1 × 40 A |
| Total current | max. 40 A |
| Invers-polarity protection | internal protection against reverse polarization up to 60 V DC |
| Auto-Balancing (50/50) | no |

General data

| | |
|-------------------|--|
| Standards | EN 61000-6-2, EN 61000-6-3 |
| Bridging concept | two sides, with spring clamp terminals or bridge set (max. 40 A) |
| Relative humidity | 5...95%, no condensation |
| Power loss | U (approx. 0.5 V) × I |
| Efficiency | 97% |
| Connection | Spring clamp terminals |
| Mounting method | DIN-rail mountable TH35 (EN 60715) |
| Temperature range | -25...+55 °C (storage temperature -25...+85 °C) |

Output

| | |
|----------------|--|
| Output voltage | 24 V DC (21...30 V DC) |
| Output current | 20 A (-25...+55 °C); 40 A (-25...+40 °C) |
| Overload | at 20 A +50% for 4 s |
| LED display | LED (green) |
| Alarm output | potential free per channel (relay contact) |

Commercial data

| | |
|-----------------------|---------------|
| country of origin | CZ |
| customs tariff number | 85411000 |
| EAN | 4048879079884 |
| eClass | 27049002 |

Packaging unit

1