

Emparro ACCUcontrol UPS-Module

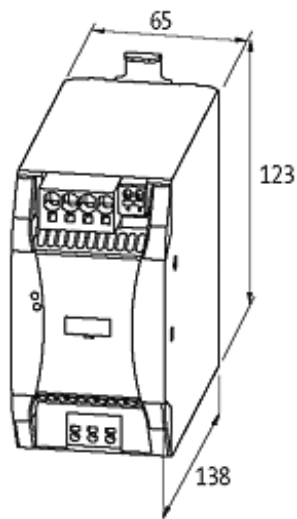
IN: 24VDC OUT: 24VDC/20A

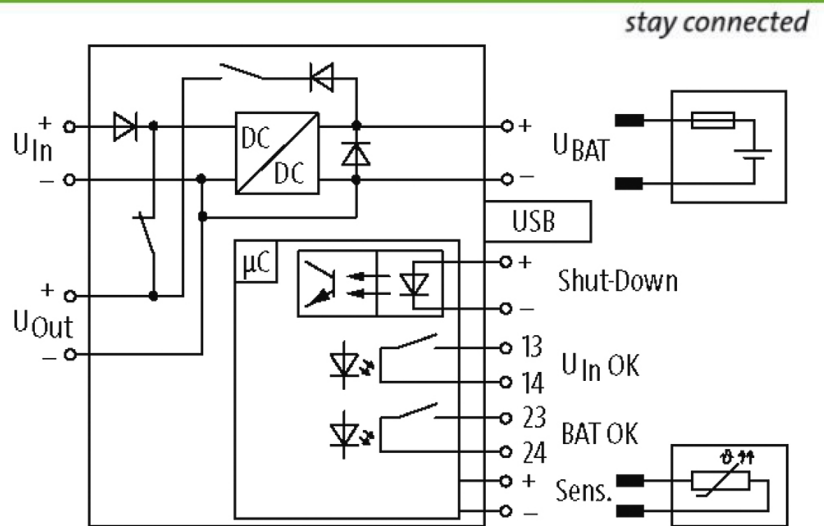
INPUT: 24 V DC (SELV/PELV)

OUTPUT: max. 20 A

[Link to Product](#)

Illustration





Product may differ from Image

Approvals



Input

Input voltage	21.6...30 V DC (buffer operation)
Input current	max. 23 A
Loading current	2 A

Control inputs

Input voltage shutdown (SH)	24 V DC (6...45 V DC), potential free
-----------------------------	---------------------------------------

Control outputs

Battery (BAT OK)	min. 5 V DC, 1 mA; max. 30 V DC, 100 mA
Input voltage (Uin OK)	min. 5 V DC, 1 mA; max. 30 V DC, 100 mA

Technical Data

Sensor type	KTY 81-210 (Art.No. 89600)
Battery type	Lead battery (max. 40 Ah, sealed)

General data

Dimensions H x W x D	123x65x143 mm
Connection	Push-In spring clamp terminals, Mini-USB
Mounting method	DIN-rail mountable TH35-7.5/TH35-15 (EN 60715)
Temperature range	-25...+45 °C

Output

Output voltage	27.7...19.2 V DC
Output current	max. 20 A

Commercial data

country of origin	DE
-------------------	----

customs tariff number	85371091
EAN	4048879694339
eClass	27049002
Packaging unit	1